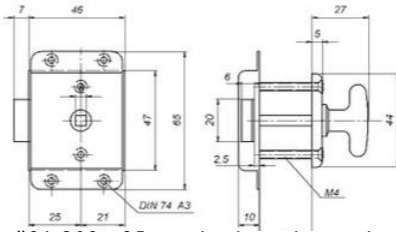




Izerwaren
Order
numbers

• Brass cabinet latches and locks
Finish: Chrome plated brass
Marine Rim Latches (Slam Latch Action)

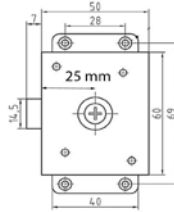
21.309 **Latch #4309;** 25 mm backset, for 5 x 5 mm spindle; with strike Case 46 x 65 mm polished chrome plated brass Knob set #4309K separate order Strike #4309S



Latch #21.309; 25 mm backset, brass chrome plated 5 x 5 mm spindle with knob + rose



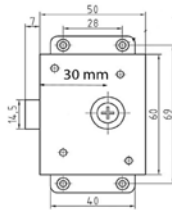
21.709-25 **Latch #3709;** 25 mm backset, for 7 x 7 mm spindle; with strike Case 50 x 78 mm polished chrome plated brass Strike #3709S



Latch #21.709-25; 25 mm backset brass chrome plated 7 x 7 mm spindle



21.709-30 **Latch #3709;** 30 mm backset, for 7 x 7 mm spindle; with strike Case 50 x 78 mm polished chrome plated brass Strike #3709S



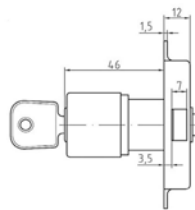
Latch #21.709-30; 30 mm backset, brass chrome plated 7 x 7 mm spindle SET: 21.719-30 #16.087 oval knob with #oval rose



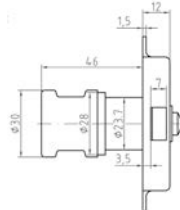
21.711Z **Latch #3711Z;** 30 mm backset, With cylinder keyway in knob; with strike Case 50 x 78 mm polished chrome plated brass with steel parts

Latch #21.709-30; 30 mm backset, brass chrome plated 7 x 7 mm spindle SET: 21.719-30 #16.087 oval knob with #oval rose

21.711K **Latch #3711K;** 30 mm backset, With Knob and with strike Case 50 x 78 mm polished chrome plated brass thickness of door 3/4".



latch #21.711Z; 30 mm backset, brass chrome plated

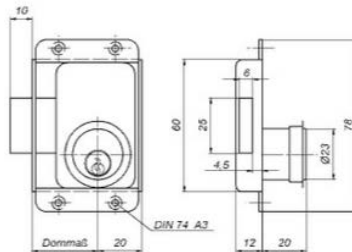


21.711K



Marine Rim Lock

21.73Z **Deadbolt #3273Z;** 25 mm backset, (also avail. 20, 30 mm backset) With cylinder keyway, with strike Case 45 x 78 mm polished chrome plated brass thickness of door 3/4".



latch #3273Z; 25 mm backset, brass chrome plated; also with 20, 30 mm backset For door thickness from 5/8" to 1 3/16."



Push Pin Marine Rim Latches (with Slam Latch Action)



#21.515 Push Pin Latch; 15 mm (5/8 inch) backset



#21.503 Push pin Latch 22.5 mm (3/4 inch) backset



#24.1520 Push Pin latch with pull 15 mm (5/8 inch) backset

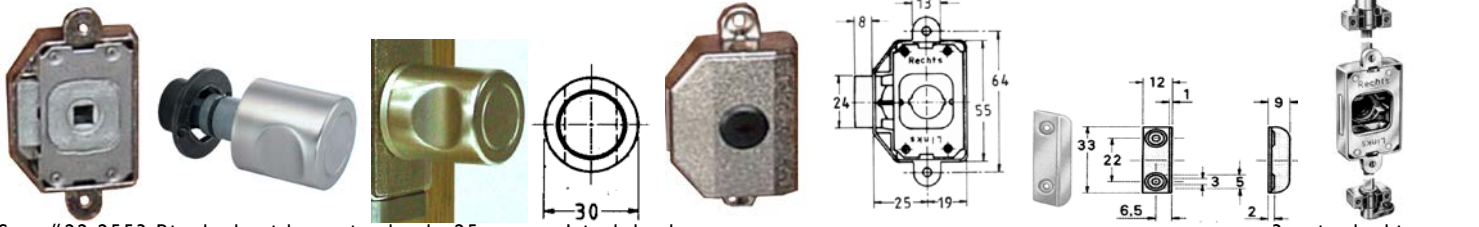


#24.5175 Pull separate

For more exterior grade marine slam latches with push pin see page 2-I-A

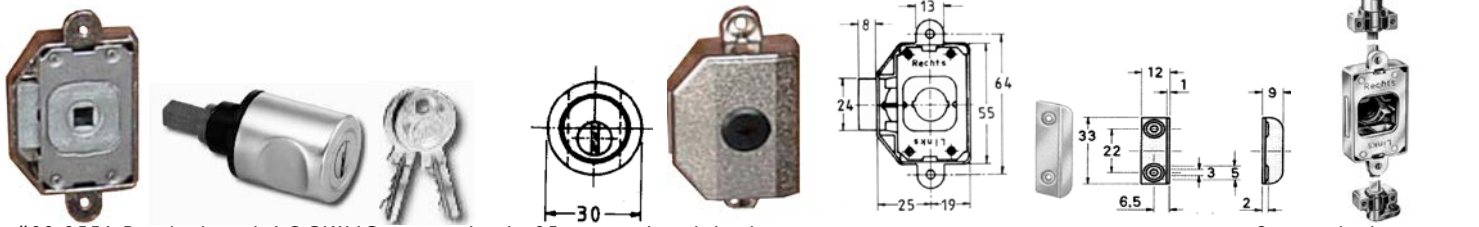


CABINET RIM LOCK WITH TURNING KNOB; 25 MM OR 1 INCH BACKSET



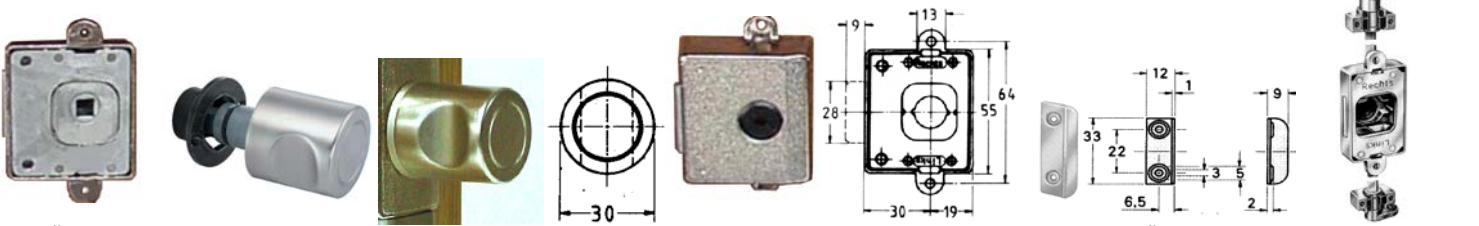
Set: #22.2553 Rim lock with turning knob; 25 mm or 1 inch backset;
Knob 30 mm or 1 3/16 inch diameter; Projects 32 mm or 1 1/4 inch.
Rim lock# 22.025 Knob-Turning #22.553 7 x7 mm spindle; Angle strike plate: #23.072
Three Point Rim lock Set: #22.2553I; Supplied with hooks, guides, strikes and 2 lengths of 1000 mm or 39 3/8 inch of 6 mm diameter rod.

CABINET RIM LOCK WITH LOCKING TURNING KNOB; 25 MM OR 1 INCH BACKSET



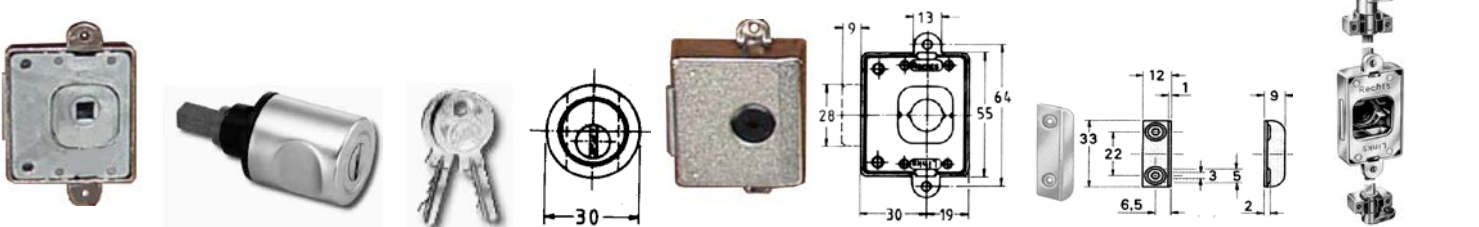
#22.2551 Rim lock with **LOCKING** turning knob; 25 mm or 1 inch backset;
Knob 30 mm or 1 3/16 inch diameter; Projects 32 mm or 1 1/4 inch.
Rim lock# 22.025 Knob-Turning #22.551 7 x7 mm spindle; 2 keys; Angle strike plate: #23.072
Three Point Rim lock Set: #22.2551I; Supplied with hooks, guides, strikes and 2 lengths of 1000 mm or 39 3/8 inch of 6 mm diameter rod.

CABINET RIM LOCK WITH TURNING KNOB; 30 MM OR 1 3/16 INCH BACKSET



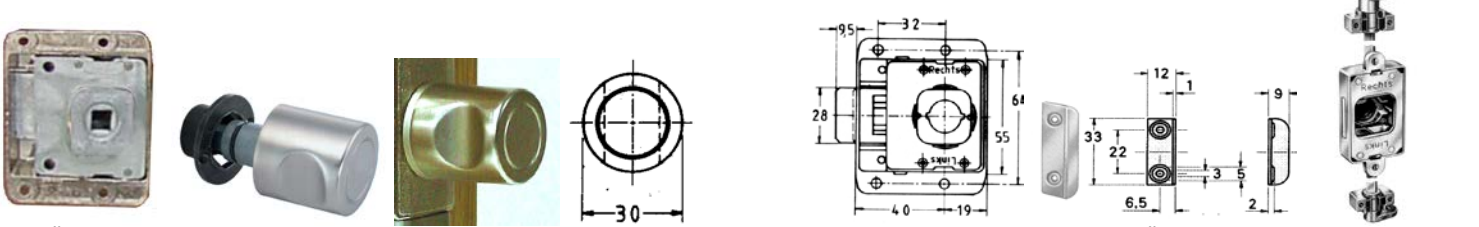
Set: #22.3053 Rim lock with turning knob; 30 mm or 1 3/16 inch backset;
Knob 30 mm or 1 3/16 inch diameter; Knob Projects 32 mm or 1 1/4 inch.
Rim lock# 22.030 Knob-Turning #22.553 7 x7 mm spindle; Angle strike plate: #23.072
Three Point Rim lock Set: #22.3053I; Supplied with: Hooks, guides, strikes and 2 lengths of 1000 mm or 39 3/8 inch of 6 mm diameter rod.

CABINET RIM LOCK WITH LOCKING TURNING KNOB; 30 MM OR 1 3/16 INCH BACKSET



Set: #22.3051 Rim lock with **LOCKING** turning knob; 30 mm or 1 3/16 inch backset;
Knob 30 mm or 1 3/16 inch diameter; Knob Projects 32 mm or 1 1/4 inch.
Rim lock# 22.030 Knob-Turning #22.551 with 2 keys; 7 x7 mm spindle; Angle strike plate: #23.072
Three Point Rim lock Set: #22.3051I; Supplied with: Hooks, guides, strikes and 2 length of 1000 mm or 39 3/8 inch of 6 mm diameter rod.

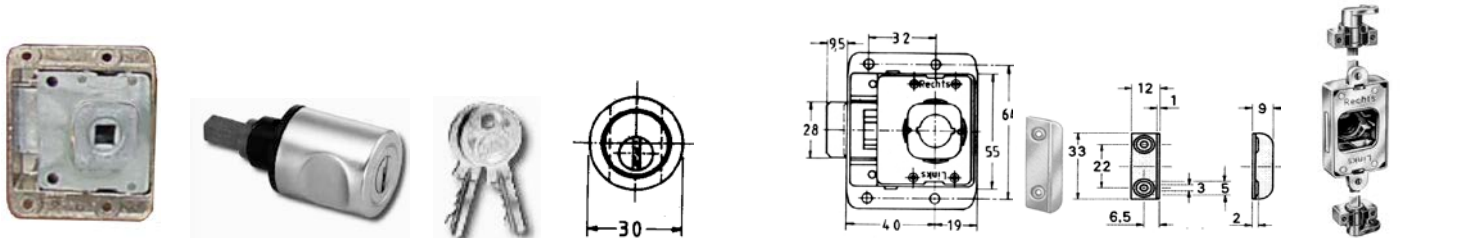
CABINET RIM LOCK WITH TURNING KNOB; 40 MM OR 1 9/16 INCH BACKSET



Set: #22.4053 Rim lock with turning knob; 40 mm or 1 9/16 inch backset;
Knob 30 mm or 1 3/16 inch diameter; Knob Projects 32 mm or 1 1/4 inch.
Rim lock# 22.040 Knob-Turning #22.553 7 x7 mm spindle; Angle strike plate: #23.072
Three Point Rim lock Set: #22.4053I; Supplied with: Hooks, guides, strikes and 2 length of 1000 mm or 39 3/8 inch of 6 mm diameter rod.

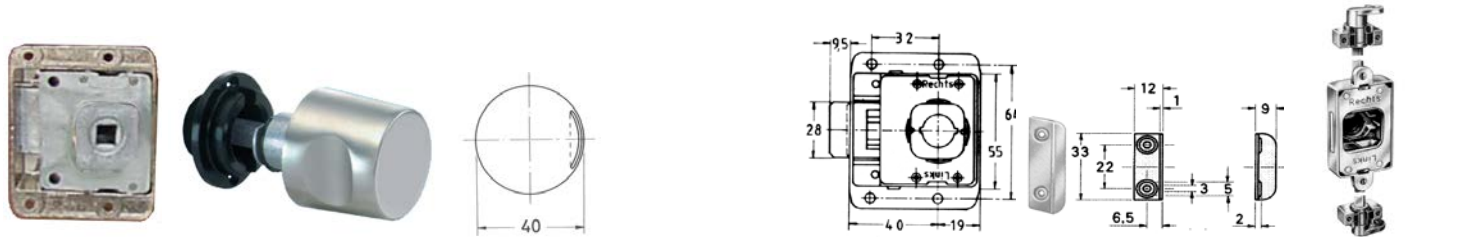


CABINET RIM LOCK WITH LOCKING TURNING KNOB; 40 MM OR 1 9/16 INCH BACKSET



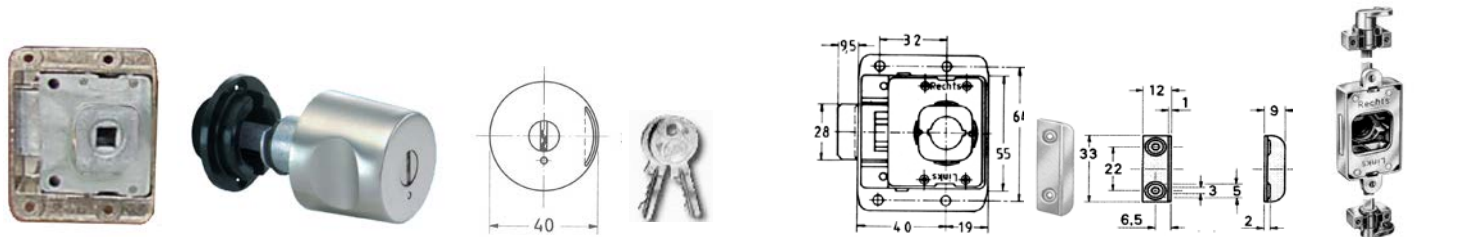
Set: #22.4051 Rim lock with **LOCKING** turning knob; 40 mm or 1 9/16 inch backset; #22.4051 I: 3 point locking set
Knob 30 mm or 1 3/16 inch diameter; Knob Projects 32 mm or 1 1/4 inch.
Rim lock# 22.040 Knob-Turning #22.551 with 2 keys; 7 x7 mm spindle; Angle strike plate: #23.072
Three Point Rim lock Set: #22.4051 I; Supplied with: Hooks, guides, strikes and 2 length of 1000 mm or 39 3/8 inch of 6 mm diameter rod.

CABINET RIM LOCK WITH TURNING KNOB; 40 MM OR 1 9/16 INCH BACKSET

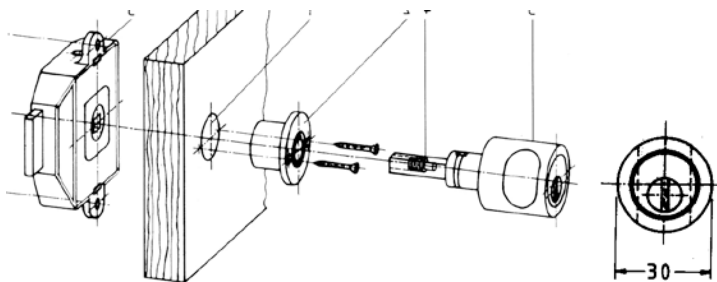


Set: #22.4005 Rim lock with turning knob; 40 mm or 1 9/16 inch backset; #22.4005 I: 3 point locking set
Knob diameter 40 mm or 1 9/16 inch diameter; Knob Projects 34 mm or 1 3/8 inch.
Rim lock#22.040; Knob-Turning #22.3505; 7 x7 mm spindle; Angle strike plate #23.072.
Three Point Rim lock Set: #22.4005 I; Supplied with: Hooks, guides, strikes and 2 length of 1000 mm or 39 3/8 inch of 6 mm diameter rod.

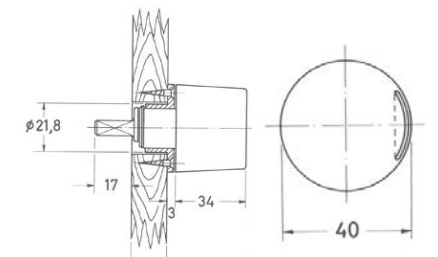
CABINET RIM LOCK WITH LOCKING TURNING KNOB; 40 MM OR 1 9/16 INCH BACKSET



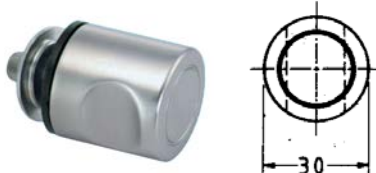
Set: #22.4001 Rim lock with **LOCKING** turning knob; 40 mm or 1 9/16 inch backset; #22.4001 I: 3 point locking set
Knob diameter 40 mm or 1 9/16 inch diameter; Knob Projects 34 mm or 1 3/8 inch.
Rim lock# 22.040 Knob-Turning #22.3501 7 x7 mm spindle; Angle strike plate: #23.072
Three Point Rim lock Set: #22.4001 I; Supplied with: Hooks, guides, strikes and 2 lengths of 1000 mm or 39 3/8 inch of 6 mm diameter rod.



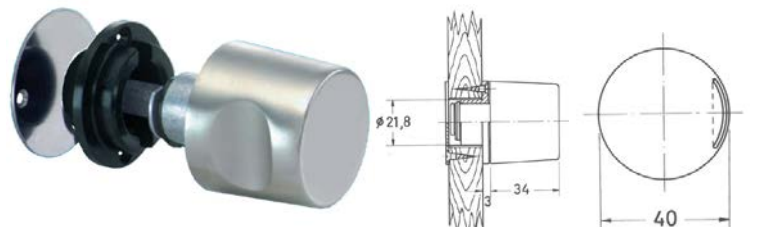
Drawing for using 30 mm diameter turning knob



Drawing for using 40 mm turning knob



Pull-Knob separate: #22.555 size: 30 Ø x 30 mm



Pull Knob separate: #22.3503; size: 40 Ø x 34 mm

Finish for all knobs and mechanisms: Satin nickel



Izerwaren
Order
numbers

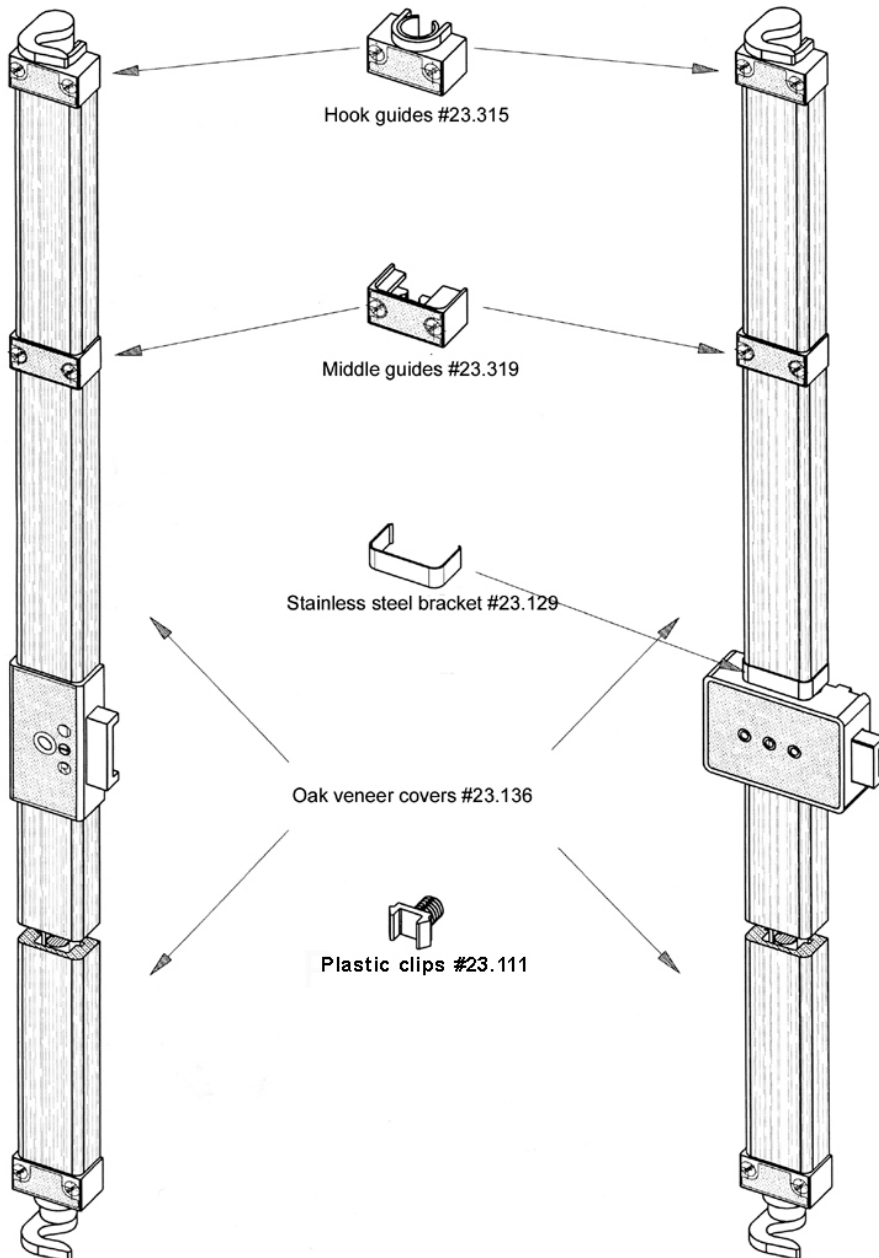
- Cabinet Rim lock, steel with zinc
- Backset 16-20-25-30-40 mm
- With 1, 2 or 3 point locking option
- To open: turn knob 1/4 left or right
- Lock case steel nickel plated
- Minimum door thickness 16 mm ~ 5/8"
- Strike plate not included with lock

**INTERIOR USE,
steel and zinc parts**

Rim locks with espagnolette bolts, for interior use



#22.0251 Rim lock for espagnolette bolts #22.0161 Rim lock for espagnolette bolts;
See page 2-2 for lock details



sample rim lock set
with oak wood veneer
covers



sample rim lock set
with oak wood veneer
covers

Order a set use part no.: 23.1362. One set: Oak Veneer Covers (cut to size),
6 Plastic Clips, 2 metal brackets, 2 Middle Guides, 2 Hook Guides, 2 hooks, 2 rods.
Oak Veneer Covers separate: #23.136 in lengths of 2 meter (78 3/4 inch).



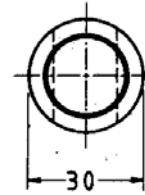
Izerwaren
order
numbers

- Cabinet Rim locks interior grade
- Steel and zamac parts
- backset 15- 20-25-30-40 mm

22.555 **Knob 3555 fixed knob**
Knob zamac
30 mm - 1 3/16" diameter, projects:
30 mm - 1 -3/16"



Satin nickel finish

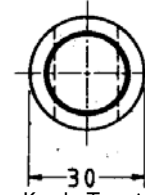


Pull-Knob #22.555



Screw on, not turning

22.553 **Knob 3553 turning knob only**
Knob zamac, rose black zamac
30 mm - 1 3/16" diameter, projects: 30
mm - 1 -3/16"; spindle 7 x 7 mm



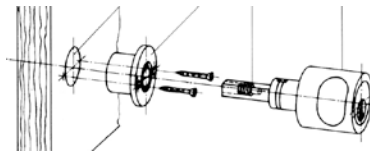
Knob-Turning #22.553



7 x 7 mm spindle

22.020 **Rim Lock 20 mm backset**
Case 35 x 55 mm
Follower for 7 x 7 mm spindle

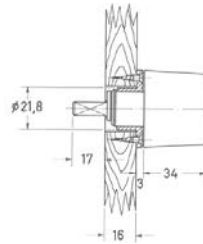
22.551 **Knob 3551 with cylinder key lock**
Knob zamac, cylinder brass,
rose black zamac
30 mm - 1 3/16" diameter, projects: 30
mm - 1 -3/16"; spindle 7 x 7 mm



Knob with key locking in rose #22.551



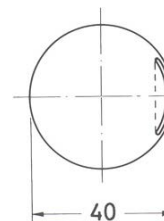
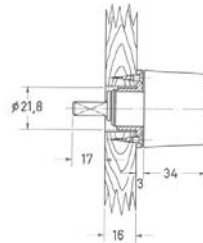
22.3501 **Knob 22.3501 with cylinder key lock**
Knob zamac, size: 40 Ø x 34 mm
Spindle 7 x 7 mm



Turning Knob with key #22.3501; size: 40 Ø x 34 mm



22.3505 **Knob 22.3505 turning**
Knob zamac, size: 40 Ø x 34 mm
Spindle 7 x 7 mm

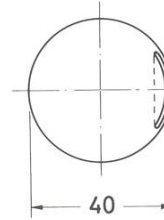
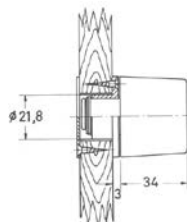


Turning Knob #22.3505; size: 40 Ø x 34 mm



22.030 **Rim Lock 22.030**
Case 49 x 55 mm

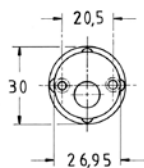
22.3503 **Knob 22.3503 pull**
Knob zamac, size: 40 Ø x 34 mm



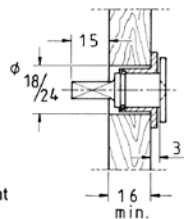
Knob, pull #22.3503; size: 40 Ø x 34 mm



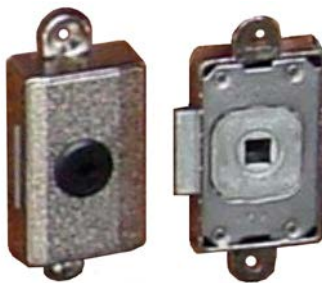
Details on Rim Locks see page 2-2



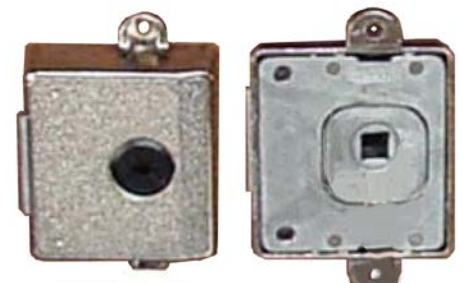
available for different
doorthicknesses



Base for custom knob; 30 mm Ø; #22.211.



Lock #22.020 - 20 mm backset



Rim lock 22.030 30 mm backset;



RIM LOCK AND 3 POINT RIM LOCK FOR INTERIOR USE

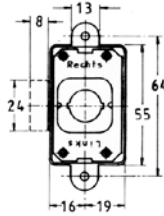
Rim Cabinet Rim lock, steel with zinc parts; nickel plated. Backset 16-20-25-30-40 mm.
To open: turn knob 1/4 left or right. Minimum door thickness 16 mm ~ 5/8" Strike plate not included with lock. The way the cam is inserting determines left or right hand

Izerwaren
Order
numbers

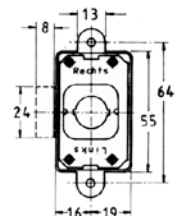
Rim lock Mechanisms

Nickel plated steel with zamac parts

- 22.016 16 mm backset; Case: 35 x 55 mm
- 22.020 20 mm backset; Case: 39 x 55 mm
- 22.025 25 mm backset; Case: 44 x 55 mm
- 22.030 30 mm backset; Case: 49 x 55 mm
- 22.040 40 mm backset; Case: 59 x 55 mm



Rim lock# 22.016
backset 16 mm;

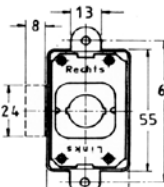


Espagnolette lock: #22.0161;
Backset 16 mm

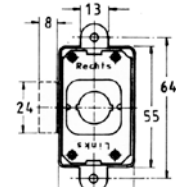
Rim lock Mechanisms for espagnolette bolts

Nickel plated steel with zamac parts

- 22.0161 16 mm backset; Case: 35 x 55 mm
- 23.0201 20 mm backset; Case: 39 x 55 mm
- 22.0251 25 mm backset; Case: 44 x 55 mm
- 22.0301 30 mm backset; Case: 49 x 55 mm
- 22.0401 40 mm backset; Case: 59 x 55 mm



Rim lock# 22.020
backset 20 mm;

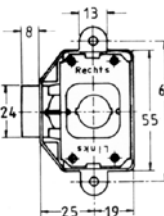


Espagnolette lock: #22.0201
backset 20 mm

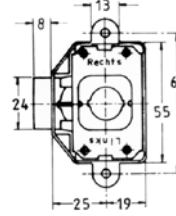
22.516 Cam / follower separate; 7x7 mm

23.557 **Keyway**, cylinder for 3/4" doors
16.5 mm diameter, 23 mm long.
Specify doorthickness for thicker doors!!

22.7423 **Skeleton key insert**
Left or right operational



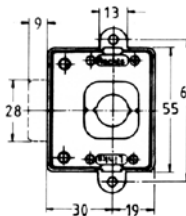
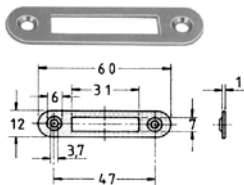
Rim lock# 22.025
backset 25 mm;



Espagnolette lock: 22.0251
backset 25 mm

23.102 **Espagnolette bolt set complete(225102)**
1 set: 2 rods x 1000 mm; 2 hooks; 2 pins; 2 guides. Rods nickel plated steel, other parts nickel plated die cast zinc.

23.052 **Strike plate flush (225FLU)**
58 mm x 10 mm, nickel plated brass

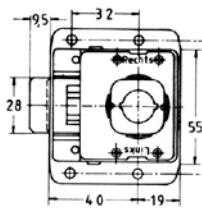
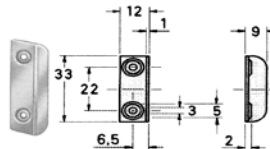


Rim lock# 22.030
backset 30 mm;

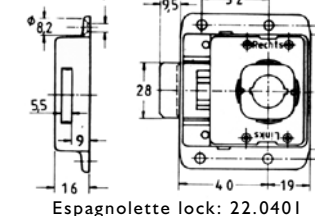


Espagnolette lock: 22.0301
backset 30 mm;

23.072 **Strike plate angle (225ANG)**
40 mm x 12 mm x 12 mm;
Nickel plated steel



Rim lock# 22.040
backset 40 mm;



Espagnolette lock: 22.0401
backset 40 mm;

INSERTS / KNOBS:



Follower #22.516
For 7 x 7 mm spindle



Key Cylinder#23.557
Key cylinder for 3/4" thick doors



Skeleton key insert #22.7423
fits all mechanisms



Knob #22.551
Page 2-1-1 for details knobs



Izerwaren
Order

- Cabinet Rim 2 point lock.
- Two point rim lock with round rods
- To open: turn knob 1/4 to left or right
- Specify left or right
- Minimum door thickness: 13/16 inch

**Rim 2 point lock mechanism
Left hand**

22.300L

Right hand

22.300R

23.204 **SET: With round rod with 2 guides, 2 connectors
2 rods of 500 mm long; 2 filler plates**

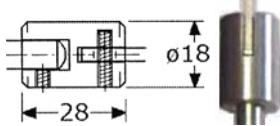
Lock Case 152 x 38 mm. Throw: 18 mm 3/4"
Case stainless steel
For 7 x 7 mm spindle; for front and/or back
mounted turning knobs or levers
with round stainless steel rods, guides and
strikes

Specify right or left hand when ordering

62.816L **Guides; stainless steel for 8 mm rod**



23.300C **Rod Coupling, stainless steel**



23.300F **Filler Plate for mechanism, white plastic**

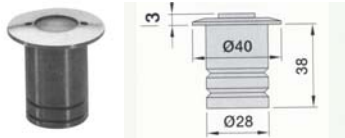


23.300D **Rods, 8 mm (5/16") diameter,
stainless steel - specify length**

Flush Turning lever:



43.996 #43.996 flush turning lever
Dimension: 70 x 70 x 14 mm
or 2 3/4 x 2 3/4 inch
Minimum hatch thickness: 21mm / 13/16 inch.
Material: 316 stainless steel

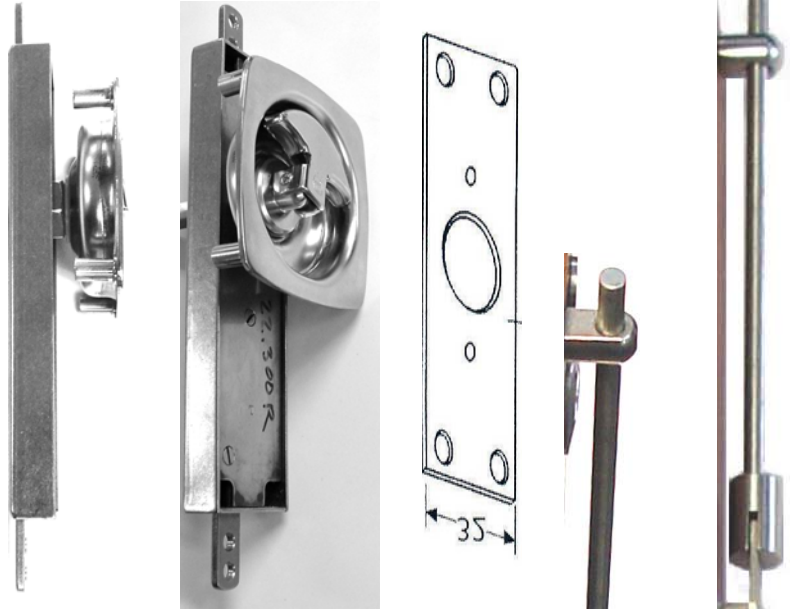


32.K42 Closed Receiver Cup #32.K42.
Stainless steel house with moving nylon spring
loaded insert. Spring: stainless steel.
Dimension: 1 1/8" diameter x 1 1/2" high
Top Plate: 1 9/16" x 1/8" thick

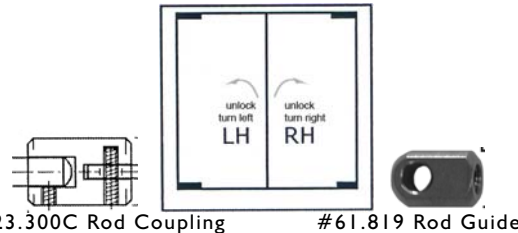


23.2424 Open receiver cup #24.2424
11 long x 17 mm diameter body, top 20 mm diameter
0.6690" x 0.7875" x 0.5" deep

**2 point rim lock for exterior and interior use
316 stainless steel for 13/16" doors**



23.204 SET 2 point rim lock; stainless steel with round rods,
connectors, guides, nylon filler plates
lock has 7x7 mm square hole for flush turning lever (separate)



SET: #23.204; 316 stainless steel
2 point lock with 2 round rod 8 x 500 mm;
With 2 guides and 2 couplings and 2 filler plates.
#23.300D: 2 Rods; 8 x 500 mm; 2 Guides #62.816L; 2 Coupling #23.300C
Please Order Separate:
Open Receiver Cup: #23.2424; or Closed Receiver Cup #32.K42 Flush
Turning Lever #43.966



Flush Spring Loaded Slide Latch with Catch and Shim

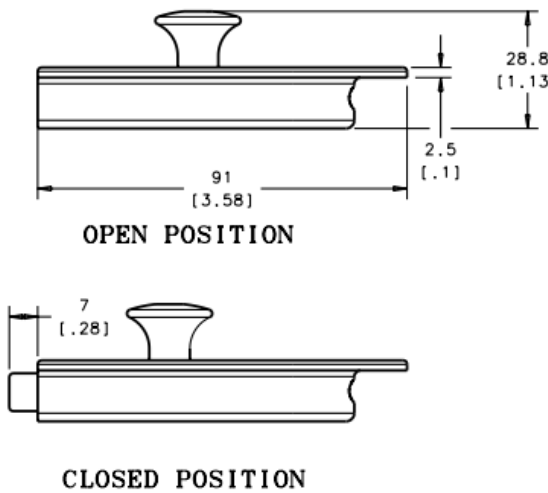


#22.3012; Stainless Steel Spring Loaded Slide Bolt Latch; Measures 3 1/2" long; x 2 3/16" Wide; x 1/2 "thick with stainless steel acceptor plate. Commonly Used on Transom Doors Slam action by latch bolt

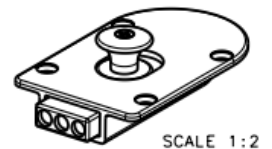
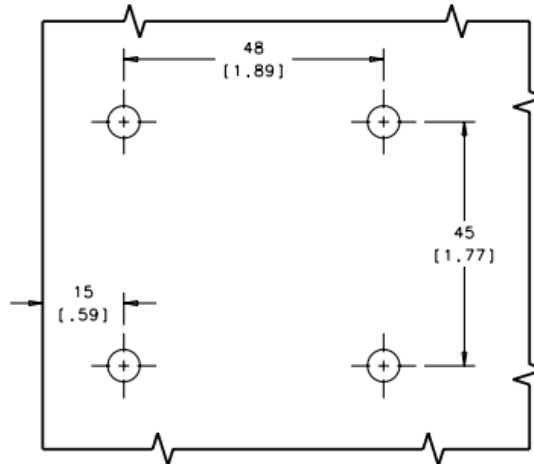
Magnetic Transom Latch with Knob and Receiver Cup



#22.3070; Stainless Steel Spring Loaded Slide Bolt Latch; Measures 3 1/2" long; x 2 3/16" Wide; x 1/2 " thick with stainless steel acceptor plate. Commonly Used on Transom Doors. Magnetic action by dead bolt



PANEL PREPARATION





Izerwaren
Order
numbers

- 316 Stainless steel slam latch with lift ring
- sea water resistant
- slam action when closing
- strike included
- finish: Lift ring polished stainless steel 316; body and cam: satin finish

SLAM LATCH WITH LIFT RING

Polished 316 stainless steel



43.F01 Slam latch for hatches

Set: 1x latch, 1 mounting ring with screws; 1 strike
 Diameter: 2 3/8"
 Built in diameter: 2"
 Material thickness: from 1/4" up to 13/16"
 Spring loaded slam action on latch bolt

43.F02 Slam latch for hatches, with locking with key

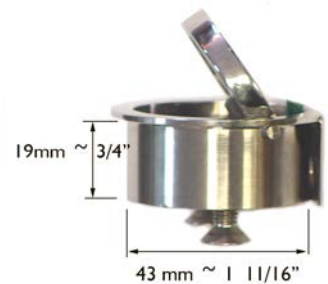
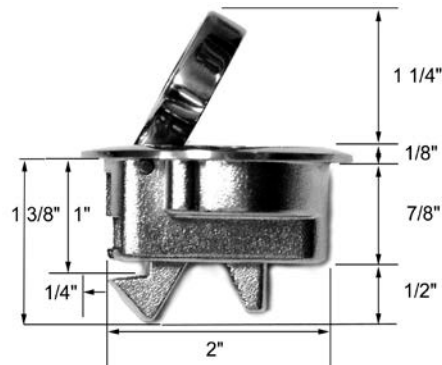


#43.F01 Slam latch



Mounting ring; 2 3/8" diameter

#43.F01
 Installation body: Drill hole: 2" Ø



#43.505 Cabinet latch. Flush Slam Latch Mirror Polished 316 Stainless Steel Drill hole: 1 11/16" ~ 43 mm
 Designed for 3/4 inch ~ 19 mm thick material. All parts high quality 316 stainless steel.

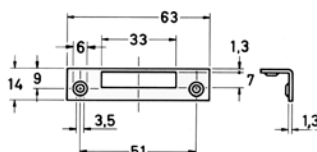
Strike plates:



#22.098S Brass nickel



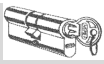
#22.097I Brass nickel



#22.099 Roller Bolt stainless steel



#23.012 brass nickel

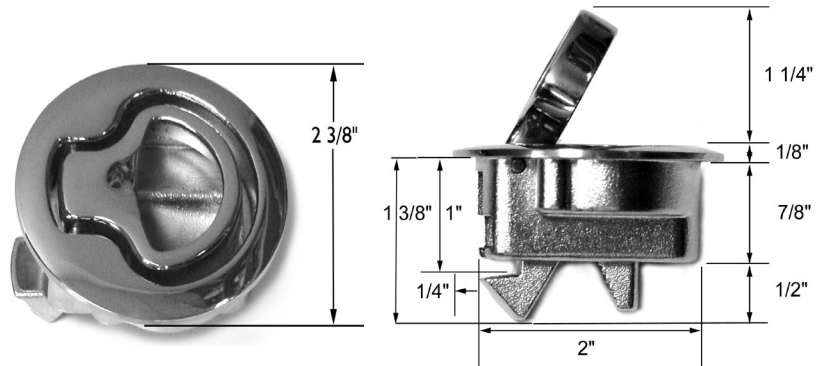


Izerwaren
Order
numbers

43.F01 **Slam latch for hatches**
 Set: latch, mounting ring with screws; strike.
 Diameter: 2 3/8"
 Built in diameter: 2"
 Material thickness: from 1/4" up to 13/16"
 Spring loaded slam action on latch bolt
 Polished Stainless steel 316;

43.F02 **Slam latch for hatch, locking with key**

SLAM LATCH WITH LIFT RING



Slam latch #43.F01

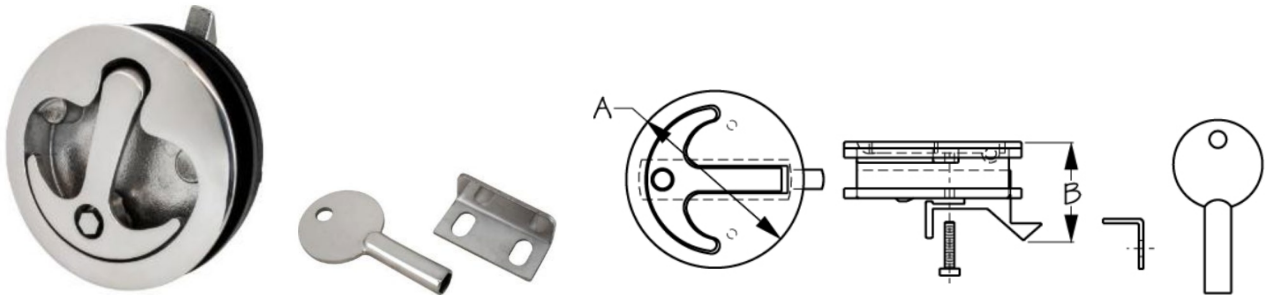
Installation body: Drill hole: 2 1/16" Ø

SLAM LATCH WITH PULL LEVER ANCHOR STYLE



#43.831S Flush Slam latch, Pull type. Anchor style lift ring; strike plate included. **Pull Out** to release.
 Dimensions: 2 7/16" (A) x 1 1/2" (B) x 2 1/4" (C) x 3/4" (D) Door thickness: 3/4". 316 Stainless Steel Satin Finish

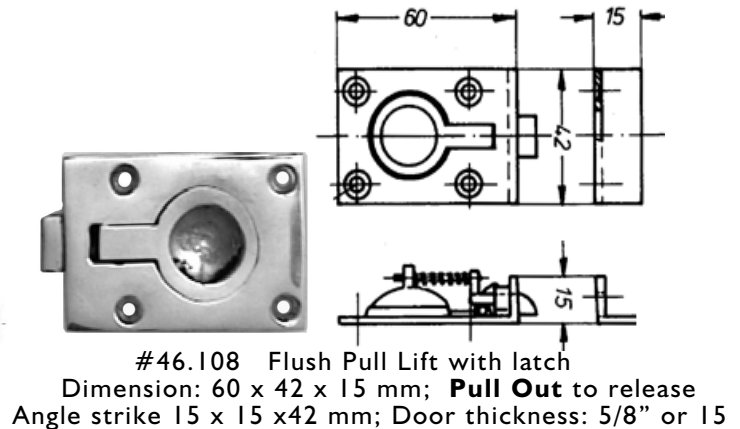
SLAM LATCH WITH LIFT RING ANCHOR STYLE



#43.972 Flush Slam latch with lift ring and angle strike plate, **locking**. **Pull Out** to release.
 Dimensions: 2 3/8 diameter (A) x 1 11/16 deep (B) Hole size: 2 inch; Door thickness: 1/4 inch to 3/4 inch
 316 Stainless Steel Mirror Polished Finish



#43.9714 Slam latch 2 7/16 diameter (A); drill hole 2 3/16 inch,
 distance (B): 1 3/8" material up to 5/8" thick;
 316 polished stainless steel
 mm

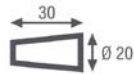


#46.108 Flush Pull Lift with latch
 Dimension: 60 x 42 x 15 mm; **Pull Out** to release
 Angle strike 15 x 15 x 42 mm; Door thickness: 5/8" or 15

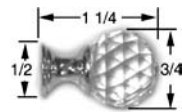
Polished Chrome Plated Brass



II.C2007

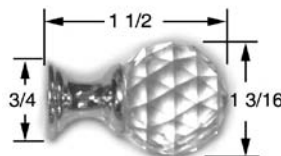


20 x 33 mm



II.C20

2000/20
20 mm diameter

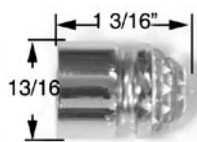


II.C30

2000/30
30 mm diameter

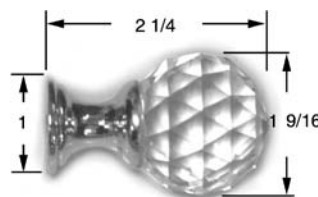


II.C22



18 x 35 mm

2003



II.C40

2000/40
40 mm diameter



Sizes for Part numbers 2011, 2012, 2014, 2014, 2015, 2016: 20 mm diameter x 26 mm tall
3/4" diameter x 1"



Pull mechanism for Cabinet Doors (slam latch type)

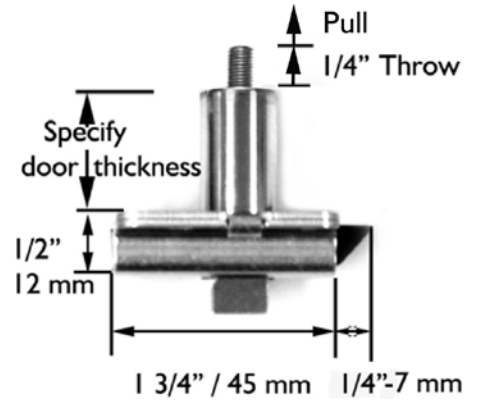
Izerwaren
Order #

- Mechanism made of aluminum with brass parts.
- Silver or black finish
- Standard: 3/4 inch thick doors
- Backset: 19, 25, 30 mm or more
- Custom backset / door thickness available.

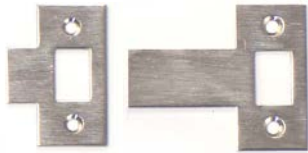
24.P20 Pull mechanism;
backset 3/4" or 19 mm
thread size: M 4 or 8/32"
For 3/4" material thickness
Aluminum Body, Latch

24.P25 Pull mechanism;
backset 1" or 25 mm
thread size: M 4 or 8/32"
For 3/4" material thickness
Aluminum Body, Latch

24.P30 Pull mechanism;
backset 1 3/16" or 30 mm
thread size: M 4
For 3/4" material thickness
Aluminum Body, Brass Latch



#24.P20: Pull mechanism
backset 20 mm, 25 mm and 30 mm
3/4"; 1" and 1 3/16"
Thread size: M 4
KNOB NOT INCLUDED
FOR ILLUSTRATION PURPOSES ONLY



23.098S #23.098S short #22.98L long
23.098L Strike for flush mounting
Brass nickel plated



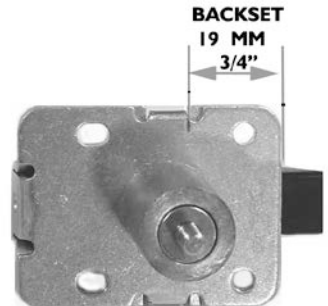
#23.0971
23.0971 Strike for overlay doors
Nickel plated brass



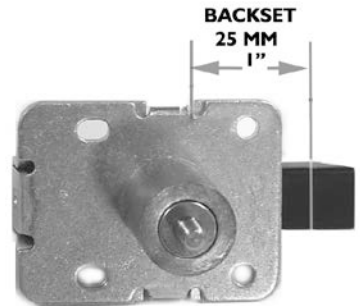
Pearl knob & rose #LZ.C0245
See page 2-2-2-B for details



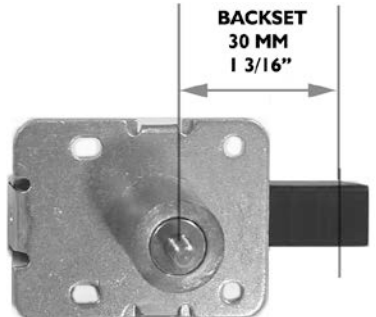
#29.020 Filler plate 6 mm 1/4" thick



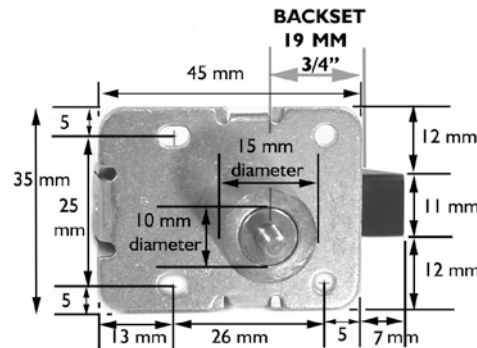
24.P20 Pull mechanism 19 mm backset (3/4")



#24.P25 Pull mechanism 25 mm backset (1")



#24.P30 Pull mechanism 30 mm backset (1 3/16")



Mechanism shown with 19 mm ~ 3/4" backset



#23.099
23.099 Roller bolt Strike plate,
Stainless steel



FOR SPECIAL APPLICATIONS
See page 2-2-5-D order numbers
See page 2-2-5-C for layouts



Mechanism also available in black
Knob shown: LZ.B0214 see page 2-2-5-B
Order Knob separate



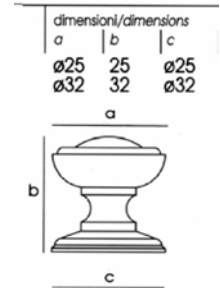
Izerwaren
Order #

- Pull Mechanism made of aluminum with brass parts.
- Standard: 3/4 inch thick doors
- Backset: 3/4 inch or 1 inch
- Custom backset / thickness on special order.

LZ.C0245 Pearl Knob with separate Pearl rose
Thread size: M 4
Brass material,
Finish:
Gold, Brass, Chrome, Nickel
2 sizes Please specify



#LZ.C0245 Pearl knob with rose
backset 25 mm diameter
Thread size: M 4

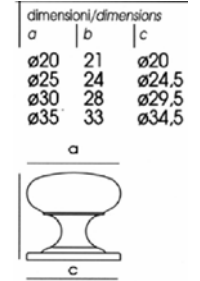


#LZ.C0245 Pearl knob with rose

LZ.B0214 Knob with rose attached
Thread size: M 4
Brass material
Finish:
Gold, Brass, Chrome, Nickel
4 sizes Please specify

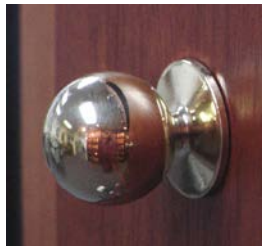


#LZ.B0214 Knob with rose (one piece)
20 mm diameter
Thread size: M 4

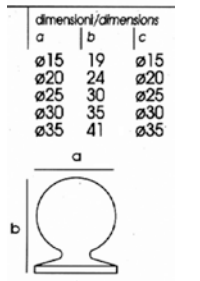
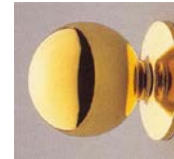


#LZ.B0214 Knob with rose (one piece)
4 sizes

LZ.B0201 Round Knob with rose attached
Thread size: M 4
Brass material
Finish:
Gold, Brass, Chrome, Nickel
5 sizes Please specify



#LZ.B0201 Knob with rose (one piece)
25 mm diameter
Thread size: M 4

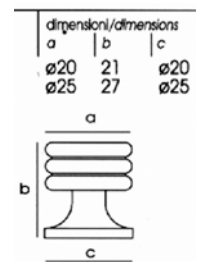


#LZ.B0201 Knob with rose (one piece)
5 sizes

LZ.80203 Ribbed Knob with rose attached
Thread size: M 4
Brass material
Finish:
Gold, Brass, Chrome, Nickel
5 sizes Please specify



#LZ.B0203 Knob with rose (one piece)
25 mm diameter
Thread size: M 4

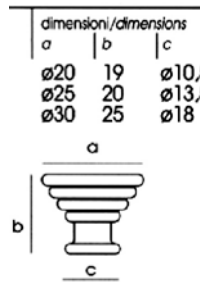


#LZ.B0203 Knob with rose (one piece)
2 sizes

LZ.B0219 Ribbed Knob with rose attached
Thread size: M 4
Brass material
Finish:
Gold, Brass, Chrome, Nickel
2 sizes Please specify



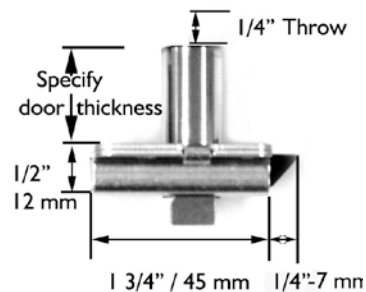
#LZ.B0219 Knob
30 mm diameter
Thread size: M 4



#LZ.B0219 Knob 3 sizes



#24.P20 Pull mechanism
Used with depicted knobs
Works like a slam latch
PAGE 2-2-5-A for details



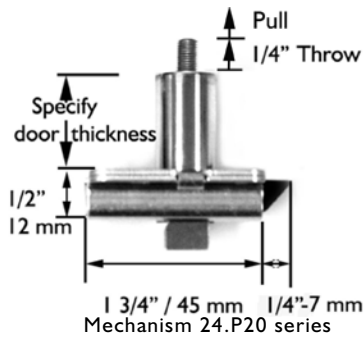
Please see page 2-2-5-D for
installation and
ordering details



| Backset 20 mm | Backset 25 mm | Backset 30 mm | BACKSET MECHANISM IN RELATION TO DOOR LAY OUT |
|--|--|--|---|
| CUT HOLE FOR KNOB FROM EDGE OF DOOR AT: | | | DOOR THICKNESS (= B) ORDER FOR 3/4" INCH DOOR, OR 1" DOORS OR SPECIFY CUSTOM DOOR THICKNESS. UPTO 1 1/2" THICK. |
| Distance = "A" 20 mm Part no: 24.P20 | Distance = "A" 25 mm Part no: 24.P25 | Distance = "A" 30 mm Part no: 24.P30 up to 100 mm / 4 inch | <div style="text-align: center;"> <p>Layout 1</p> <p>doorthickness "B"</p> <p>distance "A"</p> <p>Flush strike</p> <p>Set up with flush doors and flush strike</p> <p>Strike #22.098S short #22.98L long</p> </div> |
| = "A" 29 mm Part no: 24.P20 | = "A" 34 mm Part no: 24.P25 | = "A" 39 mm Part no: 24.P30 up to 100 mm / 4 inch | <div style="text-align: center;"> <p>Layout 2</p> <p>doorthickness "B"</p> <p>distance "A"</p> <p>angle strike for overlay doors</p> <p>Set up with overlay doors with angle strike for overlay doors</p> <p>Angle Strike #23.097</p> </div> |
| = "A" 28 mm Part no: 24.P20 + filler plate | = "A" 33 mm Part no: 24.P25 + filler plate | = "A" 38 mm Part no: 24.P30 + filler plate up to 100 mm / 4 inch | <div style="text-align: center;"> <p>Layout 3</p> <p>doorthickness "B"</p> <p>FILLER PLATE 1/4"</p> <p>Distance "A"</p> <p>Roller Bolt strike</p> <p>Setup with flush doors and roller bolt strike 1/4" filler plate required Roller Strike #23.099</p> </div> |
| = "A" 35 mm Part no: 24.P20 + filler plate | = "A" 40 mm Part no: 24.P25 + filler plate | = "A" 45 mm Part no: 24.P30 + filler plate up to 100 mm / 4 inch | <div style="text-align: center;"> <p>Layout 4</p> <p>doorthickness "B"</p> <p>FILLER PLATE 1/4"</p> <p>distance "A"</p> <p>Roller Bolt strike</p> <p>Set up with overlay doors and roller bolt strike 1/4" filler plate required Strike #23.099</p> </div> |



Knob #LZ.C0245




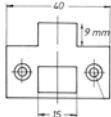

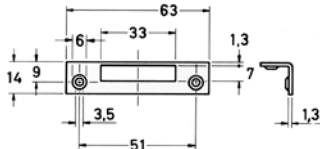


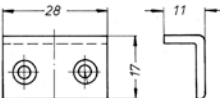

Aluminum body
Knob #LZ.C0245



Black body
Knob #LZ.B0214



Knob #LZ.B0214

| Part no. | Pull Mechanism: | Backset: | Door thickness: | Specify Knob thread: |
|----------|--------------------------------------|-------------------------------------|---|--|
| 24.P2020 | silver or black | 3/4" 19 mm | 3/4" - 19 mm | M4 or 8/32" |
| 24.P2025 | silver or black | 3/4" 19 mm | 1" - 25 mm | M4 or 8/32" |
| 24.P2032 | silver or black | 3/4" 19 mm | 1 1/4" - 32 mm | M4 or 8/32" |
| 24.P2038 | silver or black | 3/4" 19 mm | 1 1/2" - 38 mm | M4 or 8/32" |
| 24.P2520 | silver or black | 1" 25 mm | 3/4" 19 mm | M4 or 8/32" |
| 24.P2525 | silver or black | 1" 25 mm | 1" - 25 mm | M4 or 8/32" |
| 24.P2532 | silver or black | 1" 25 mm | 1 1/4" - 32 mm | M4 or 8/32" |
| 24.P2538 | silver or black | 1" 25 mm | 1 1/2" - 38 mm | M4 or 8/32" |
| 24.P3020 | silver or black | 1 3/16" 30 mm | 3/4" 19 mm | M4 or 8/32" |
| 24.P3025 | silver or black | 1 3/16" 30 mm | 1" - 25 mm | M4 or 8/32" |
| 24.P3032 | silver or black | 1 3/16" 30 mm | 1 1/4" - 32 mm | M4 or 8/32" |
| 24.P3038 | silver or black | 1 3/16" 30 mm | 1 1/2" - 38 mm | M4 or 8/32" |
| 24.P00 | silver or black | Specify Backset (100 mm) | Specify door thickness | M4 or 8/32" |
| 29.020 | 1/4" thick filler plate | Use with roller bolt strike #22.099 | Use with lay out #3 and #4 |  |
| 29.0001 | 1 mm thick filler plate | Use for shimming | When needed | |
| 22.098S | Strike plate flush short | Brushed nickel over brass | Use with Lay out # 1 | Lip 9 mm long  |
| 22.098L | Strike plate flush Long | Brushed nickel over brass | Use with Lay out # 1 | Lip 30 mm  |
| 22.0971 | Strike plate angle For overlay doors | Brushed nickel over brass | Use with Lay out # 1  |  |
| 22.099 | Roller bolt strike | Brushed stainless steel | Use with lay out #3 and #4 Size roller bolt: 1 3/16 x 3/8" 30 mm x 10 mm |  |
| 23.012 | Strike plate angle | Brushed nickel over brass | Use with layout #2; #3 and #4  |  |



Izerwaren
Order
numbers

Push Slam latch

Footprint Case 45 x 35 mm
Throw 8 mm or 5/16 inch black coated aluminum
Available in backsets from 3/4" to 7 1/2"
Available for door thickness from 3/4" to 1 1/2"
Available in custom finish (push knob and shaft)

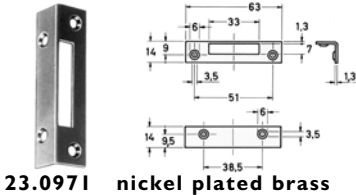
Strike plate: - lip 3/8" or lip 1 3/16"

22.098S
22.098L



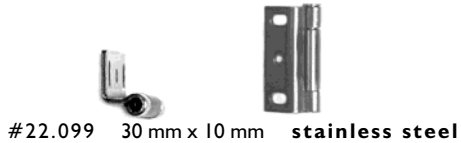
23.0971

Strike for overlay doors:



22.099

Roller bolt strike:



Sample installation with cabinet pull:



24.080

#24.080 Cabinet pull; 92 x 37 x 22 mm
3 5/8" x 1 1/2" x 7/8"
Chrome plated

29.2020

Showing with push latch #29.2020

24.4142

Cabinet pull #24.4142; 78 x 30 x 20 mm high
3" x 1" x 3/4"
Threaded for back mounting with metal
screws at 2 1/2" distance

**PLEASE CHECK FOR
INSTALLATION GUIDE ON PAGE 2-2-5-J**

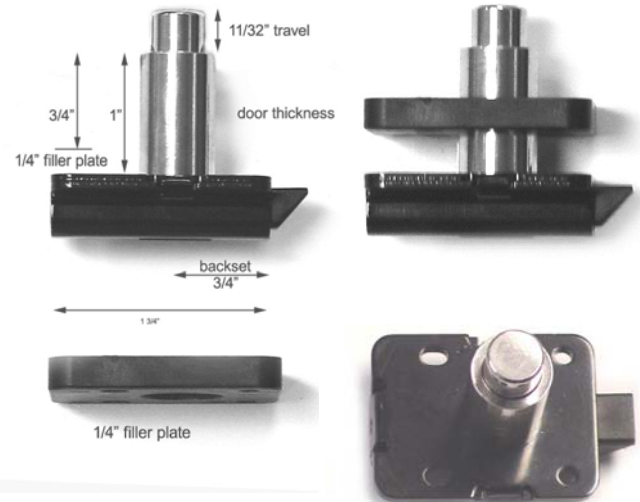
24.081



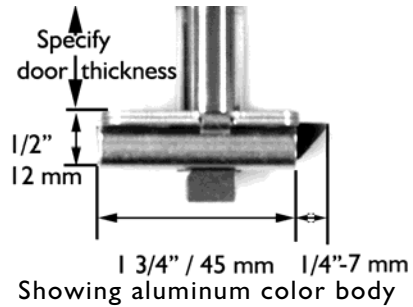
24.080

#24.080 Cabinet pull 92 x 37 x 22 mm
Polished chrome plated brass

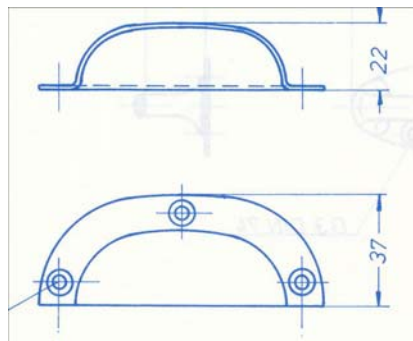
**ALUMINUM MECHANISM, SEAWATER RESISTANT
BLACK COATED, DELRON PARTS**



Mechanism #29.2025 Shown. For 3/4" inch doors
Without filler plate for 1" thick door



Available with different backset for different door
thickness
aluminum mechanism, seawater resistant
black coated or aluminum color
Delron parts
Push Button and Shaft can be ordered with custom finish



#24.081 Cabinet pull 92 x 37 x 22 mm
Polished brass (no picture showing)

Actual model design may vary

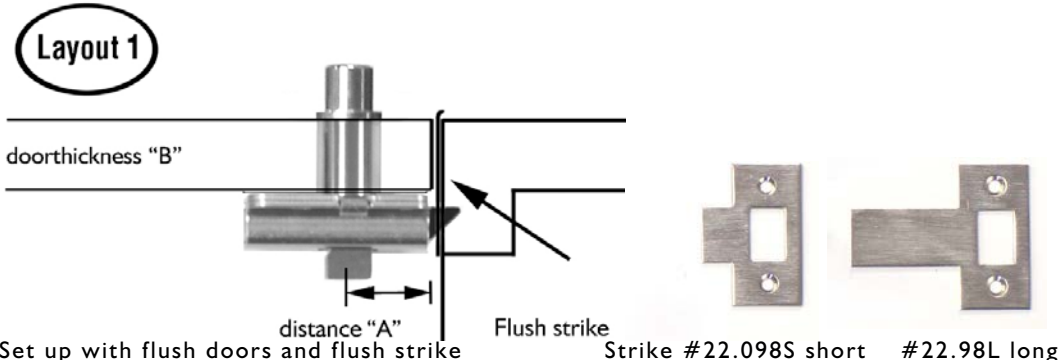
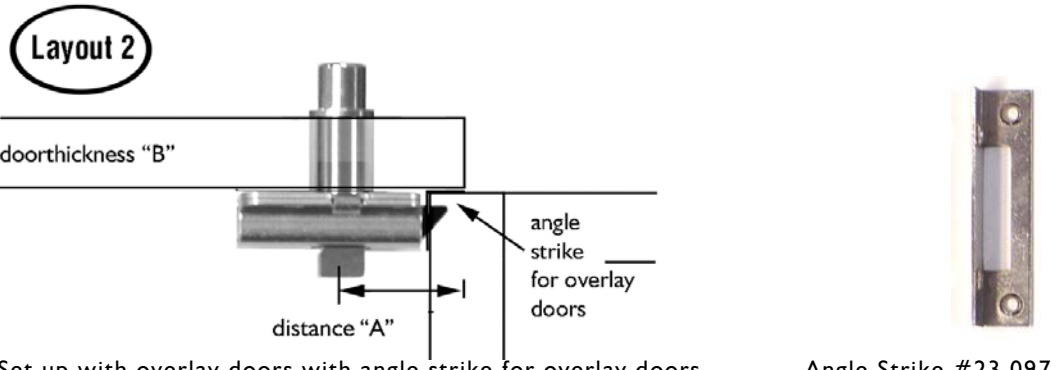
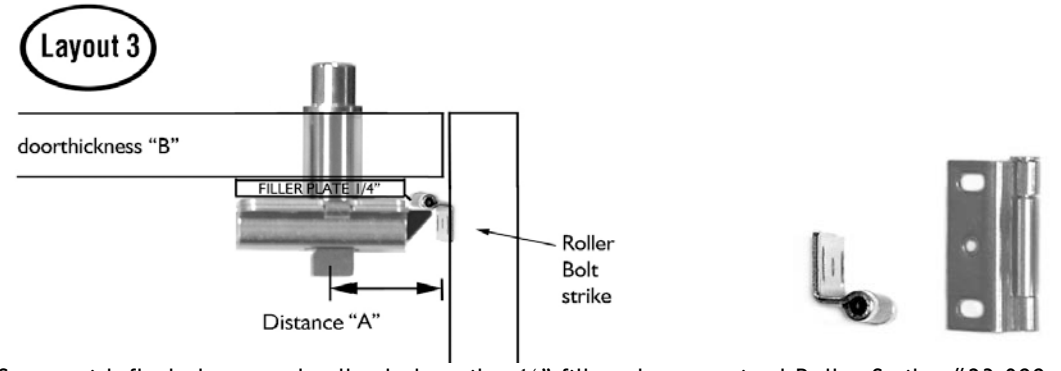
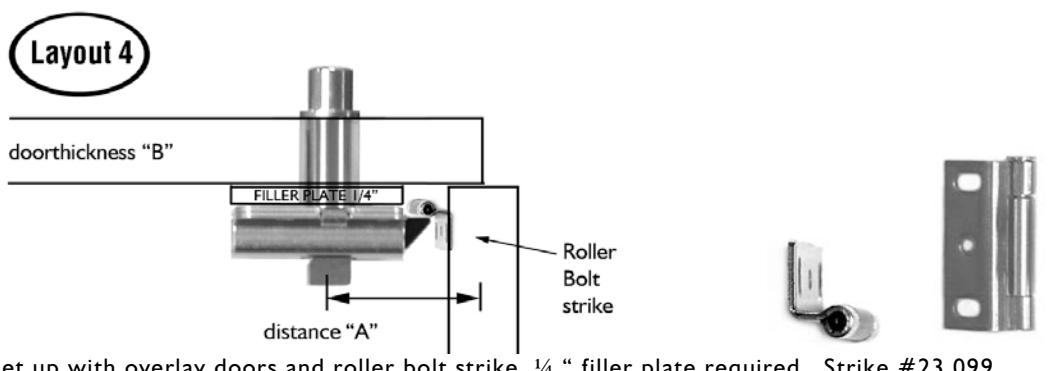


Picture: #24.1297 Pull; #29.2020 series Push latch Black body #29.2025 Body + filler plate 1/4" thick; Aluminum color body #29.2025

| PUSH MECHANISM Part no. | Body Finish | Backset: | Door thickness: | Specify FINISH Button & Sleeve | Finish Code |
|-------------------------|-----------------|-----------------|------------------------|--------------------------------|-------------|
| 29.2020 | silver or black | 3/4" - 19 mm | 3/4" - 19 mm | BRASS POLISHED | 106 |
| 29.2025 | silver or black | 3/4" - 19 mm | 1" - 25 mm | BRASS BRUSHED | 506 |
| 29.2032 | silver or black | 3/4" - 19 mm | 1 1/4" - 32 mm | CHROME POLISHED | 266 |
| 29.2038 | silver or black | 3/4" - 9 mm | 1 1/2" - 38 mm | CHROME BRUSHED | 566 |
| 29.2520 | silver or black | 1" - 25 mm | 3/4" 19 mm | NICKEL POLISHED | 256 |
| 29.2525 | silver or black | 1" - 25 mm | 1" - 25 mm | NICKEL BRUSHED | 556 |
| 29.2532 | silver or black | 1" - 25 mm | 1 1/4" - 32 mm | GOLD POLISHED | 286 |
| 29.2538 | silver or black | 1" - 25 mm | 1 1/2" - 38 mm | GOLD BRUSHED | 586 |
| 29.3020 | silver or black | 1 3/16" - 30 mm | 3/4" 19 mm | DARK BRONZE | 546 |
| 29.3025 | silver or black | 1 3/16" - 30 mm | 1" - 25 mm | | |
| 29.3032 | silver or black | 1 3/16" - 30 mm | 1 1/4" - 32 mm | | |
| 29.3038 | silver or black | 1 3/16" - 30 mm | 1 1/2" - 38 mm | | |
| 29.0000 | silver or black | Specify Backset | Specify door thickness | Please specify | |

| | | | | |
|---------|--------------------------------------|-------------------------------------|--------------------|-------------------|
| 24.020 | 1/4" filler plate | Use with roller bolt strike #22.099 | 6 X 35 X 45 mm | |
| 24.0001 | 1 mm filler plate | For shimming out body | 1 X 35 X 45 mm | |
| 24.0002 | 1/4" spacer for guide | For shimming latch bolt | | |
| 24.0003 | 1 mm spacer for guide | For shimming latch bolt | | |
| 24.0004 | Guide for long bolt | aluminum | | |
| 24.0005 | 1/4" spacer for knob | For shimming knob | 6 X 10 mm diameter | |
| 24.0006 | Threaded rods M4 | Stainless steel | | |
| 22.098S | Strike plate flush short | Brushed nickel over brass | | Lip 9 mm long |
| 22.098L | Strike plate flush Long | Brushed nickel over brass | | Lip 30 mm |
| 22.0971 | Strike plate angle For overlay doors | Brushed nickel over brass | 63 x 14 x 10 mm | |
| 22.096 | Strike plate No lip | Brushed nickel over brass | 63 x 13 mm | |
| 22.099 | Roller bolt strike | Brushed stainless steel | 30 mm x 10 mm | |
| 23.012 | Strike plate angle | Brushed nickel over brass | | |



| Backset t 20 mm | Backset 25 mm | Backset 30 mm | BACKSET MECHANISM IN RELATION TO DOOR LAY OUT |
|--|---|---|--|
| CUT HOLE FOR KNOB FROM EDGE OF DOOR AT: | | | DOOR THICKNESS (= B) ORDER FOR 3/4" INCH DOOR, OR 1" DOORS OR SPECIFY CUSTOM DOOR THICKNESS. UPTO 1 1/2" THICK. |
| 20mm Part no. 29.2020 | 25 mm Part no. 29.2520 | 30 mm Part no. 29.3020 Up to 100 mm / 7 inch | Layout 1  <p>doorthickness "B"</p> <p>distance "A"</p> <p>Flush strike</p> <p>Set up with flush doors and flush strike Strike #22.098S short #22.98L long</p> |
| 31mm Part no. 29.2020 | 36 mm Part no. 29.2520 | 41 mm Part no. 29.3020 Up to 100 mm / 7 inch | Layout 2  <p>doorthickness "B"</p> <p>distance "A"</p> <p>angle strike for overlay doors</p> <p>Set up with overlay doors with angle strike for overlay doors Angle Strike #23.097</p> |
| 28mm Part no. 29.2020 | 33 mm Part no. 29.2520 | 38 mm Part no. 29.3020 Up to 100 mm / 7 inch | Layout 3  <p>doorthickness "B"</p> <p>FILLER PLATE 1/4"</p> <p>Distance "A"</p> <p>Roller Bolt strike</p> <p>Set up with flush doors and roller bolt strike 1/4" filler plate required Roller Strike #23.099</p> |
| 37mm Part no. 29.2020 | 42 mm Part no. 29.2520 | 47 mm Part no. 29.3020 Up to 100 mm / 7 inch | Layout 4  <p>doorthickness "B"</p> <p>FILLER PLATE 1/4"</p> <p>distance "A"</p> <p>Roller Bolt strike</p> <p>Set up with overlay doors and roller bolt strike 1/4" filler plate required Strike #23.099</p> |



Izerwaren
Order
numbers

- Cabinet Rim lock, backset 25 mm - 1"
- Minimum door thickness 19 mm ~ 3/4"
- Strike plate not included with lock
- Both handed

FOR 3/4" THICK DOORS

SET Pushbutton lock: Mechanism + button + ring + angle strike. Polished chrome:

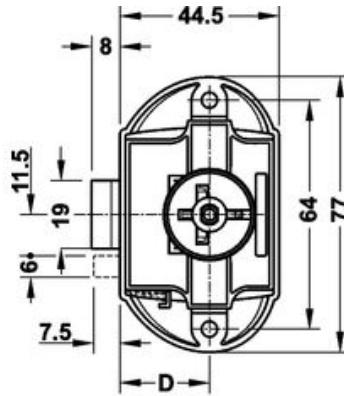


SET # 23.191.. Mechanism, button, ring, angle strike plate

25.191....

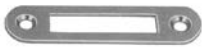
| | |
|------------|--------------------|
| 25.191.106 | lacquered brass |
| 25.191.266 | chromeplated |
| 25.191.506 | lacq. brush. brass |
| 25.191.566 | brushed chrome |
| 25.191.556 | brushed nickel |
| 25.191.286 | polished gold |
| 25.191.586 | brushed gold |
| 25.191.508 | brushed stainless |
| 25.191.308 | polished stainless |

23.225 **Push Button Mechanism separately**
Case: 78 mm x 45 mm x 20 mm thick
Nickel plated plastic with zamac parts
For use with push-button and push-button-ring.

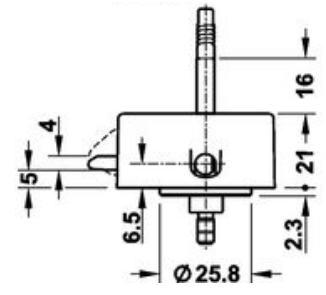


#23.225 Push button mechanism;
backset 1"/25 mm Throw Bolt: 3/8"

23.052 **Strike plate flush (225FLU)**
58 mm x 10 mm, nickel plated brass



23.072 **Strike plate angle, steel (225ANG)**
40 mm x 12 mm x 12 mm; Nickel plated steel



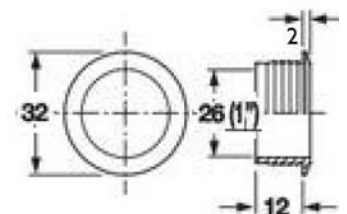
#23.225B:
Allows for buttons on both sides

25.125.266 **Push Button for thin wall ring**
22.5 mm Ø x 19 mm M6 thread
Chrome plated brass



Depicted: Button & Ring # 25.125.266 Button polished chrome
#25.125.308 button polished stainless steel
#25.135.308 ring 26 mm polished stainless steel.

25.135.266 **Ring for Push button set**
26 mm Ø OD x 12 mm
(Make hole of 1" with drill bit or router)
Chrome plated brass



#25.135.266 Ring - Thin Wall Chrome 26 mm / 1 inch diameter

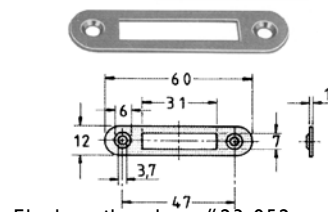
23.000 **Fostner bit 1" mm diameter**
for drilling holes for rings in wood panels



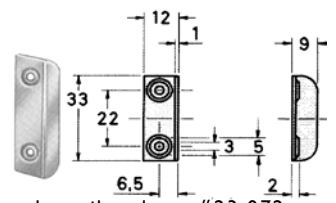
23.015 **Extention 5/8" 1 1/2" thick door**
Screws into button



23.067 **Filler plate -1 mm thick**
3 filler plates / shims provid approx. 1/8"



Flush strike plate #23.052
(choose angle strike or flush strike)



angle strike plate #23.072

Please Specify Finish Button and Ring



Izerwaren
Order
numbers

3 point locking mechanism for light cabinet doors
up to 6' 7" high
Can be used as 2 point locking (up and down)
Can be used as 1 point locking (up or down)

23.225 **Push Button Mechanism** (details page 2-3)

23.002 **Espagnolette bolt sets**

1 set:
2 rods of 6 mm x 1000 mm
2 hooks
2 pins
2 guides
Rods nickel plated steel, other parts nickel plated
dycast.

PARTS SEPARATE:

23.052 **Strike flush** (225FLU)

58 mm x 10 mm, nickel plated brass

23.072 **Strike plate angle** (225ANG)

40 mm x 12 mm x 12 mm; Nickel plated steel

23.012 **Strike plate angle** (226ANG)

30 mm x 13 mm x 8 mm; nickel plated brass

23.015 **Extension Brass** (225EX)

15 mm (5/8") To allow for door thickness of approx.
1 1/4" Use lock-tite to arrest button

23.005 **Extension Brass** (228EX)

5 mm To allow for door thickness 24 mm
(Hollow core doors + veneer).

23.008 **Extension Brass** (227EX)

8 mm To allow for door thickness of 27 mm
(for drawers with hollow core faces + veneer)

23.067 **Filler plates clear plastic**

1 mm thick filler plates; use when cabinet door
thickness is less then 19 mm ~ 3/4".

23.415 **Hooks**, set of two, mirror image,
specify top or bottom

23.3151 **Guides for hooks**, nickel plated diecast

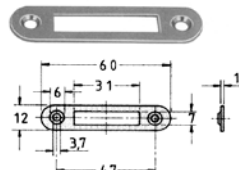
23.065 **Rods** 6 or 8 mm diameter, 1000 mm long, steel
nickel plated. Other sizes on request available

23.011 **Guides for rod**

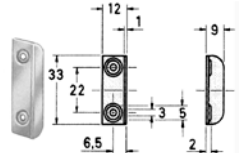
guides for rod 6 mm diameter, nickel plated diecast

23.030 **Strike pin on plate** (225PIN)

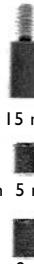
to arrest hooks, to be mounted on door sill;
adjustable.



#23.052 Strike plate flush for lock



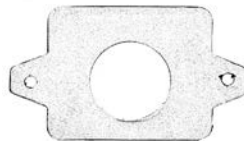
#23.072 Strike plate angle for lock



#23.015 Extension 15 mm - 5/8 with thread

#23.005 Extension 5 mm - glue in button

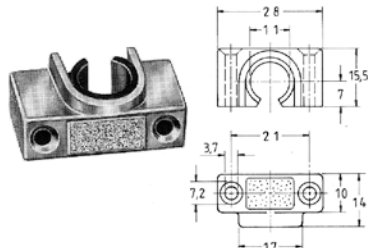
#23.008 Extension 8 mm glue in button



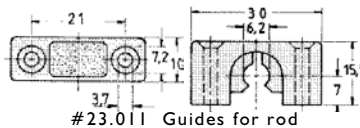
#23.067 Filler plate 1 mm



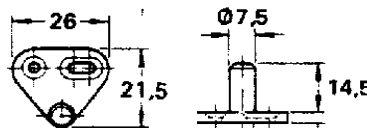
#23.415 Hooks, set of two



#23.3151 Guides for hooks



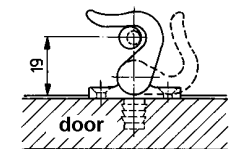
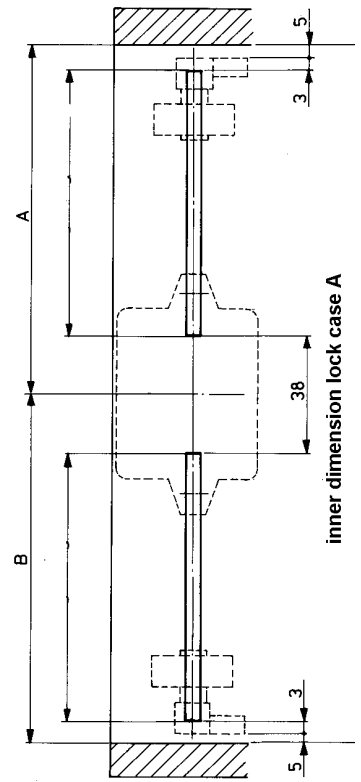
#23.011 Guides for rod



#23.030 Strike pin on plate for hooks



Three point lock with
espagnolette bolts and hooks
top and/or bottom locking



Espagnolette bolts diagram
For up and down or
up or down locking

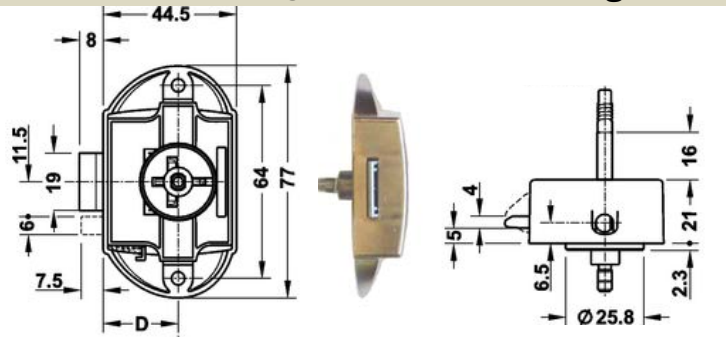


Izerwaren
Order
numbers

- Cabinet Rim lock, backset 25 mm - 1"
- Minimum door thickness 19 mm ~ 3/4"
- Strike plate not included with lock
- Both handed

**FOR 3/4" AND 5/8" THICK DOORS;
PLASTIC BUTTON AND RING**

23.225 **Push Button Mechanism (22522)**
Case: 78 mm x 45 mm x 20 mm thick
Nickel plated plastic with zamac parts
For use with push-button and push-button-ring.



#23.225 Push button mechanism, backset 1" Option: 2 buttons

23.052 **Strike plate flush (225FLU)**
58 mm x 10 mm, nickel plated brass

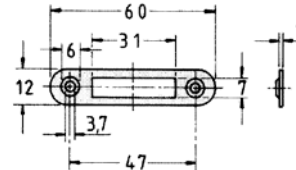
23.072 **Strike plate angle (225ANG)**
40 mm x 12 mm x 12 mm; Nickel plated steel

23.012 **Strike plate angle (226ANG)**
30 mm x 13 mm x 8 mm; nickel plated brass

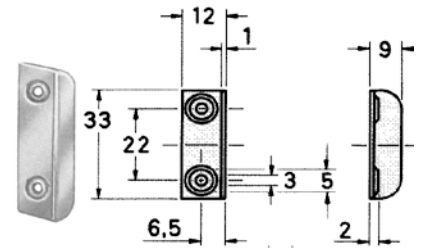
23.933 **Push button Plastic Polished Nickel**
22.5 mm x 19 mm x M6 (13/16" x 3/4")

23.934 **Push button Plastic Satin Nickel**
22.5 mm x 19 mm x M6 (13/16" x 3/4")

23.935 **Push button Plastic Polished Brass Color**
22.5 mm x 19 mm x M6 (13/16" x 3/4")



#23.052 Flush strike plate



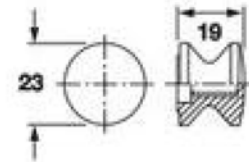
#23.072 angle strike plate

For Material 3/4" thick:

23.945 **Ring Plastic Polished Nickel**
26 mm x 18 mm (1 3/16" x 23/32")
(Make hole of 1 3/16" with drill bit or router)
for 3/4" doors: thin ring

23.946 **Ring Plastic Satin Nickel**
26 mm x 18 mm (1 3/16" x 23/32")
(Make hole of 1 3/16" with drill bit or router)
for 3/4" doors: thin ring

23.947 **Ring Plastic Polished Brass (color)**
26 mm x 18 mm (1 3/16" x 23/32")
(Make hole of 1 3/16" with drill bit or router)
for 3/4" doors: thin ring



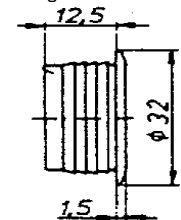
Plastic Button for thin wall ring

For Material 5/8" thick: (plastic only)

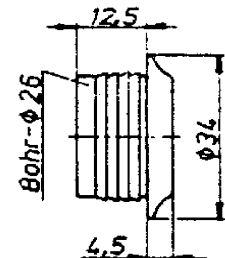
23.941 **Ring Plastic Polished Nickel**
26 mm x 18 mm (1 3/16" x 23/32")
(Make hole of 1 3/16" with drill bit or router)
for 5/8" doors: thick ring

23.942 **Ring Plastic Satin Nickel**
26 mm x 18 mm (1 3/16" x 23/32")
(Make hole of 1 3/16" with drill bit or router)
for 5/8" doors: thick ring

23.943 **Ring Plastic Polished Brass (color)**
26 mm x 18 mm (1 3/16" x 23/32")
(Make hole of 1 3/16" with drill bit or router)
for 5/8" doors: thick ring



Plastic Ring for 3/4" thick material; drill hole 26 mm diameter



Plastic Ring for 5/8" thick material; drill hole 26 mm diameter

23.000 **Fostner bit 1" mm diameter**
for drilling holes for thin rings in wood panels

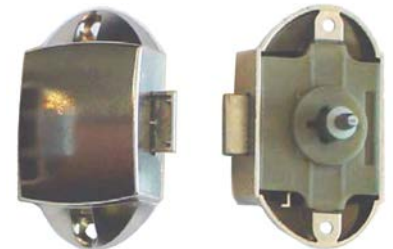


23.015 **Extention 5/8" | 1/2" thick doors**
Screws into button



extension #23.015 filler plate #23.067

23.067 **Filler plate -1 mm thick**
3 filler plates provide aprox. 1/8" filling



mechanism #23.225

FOR BRASS BUTTONS PLEASE SEE PAGE 2-3



Izerwaren
Order
numbers

- Cabinet Rim lock, backset 15 mm - "
- Minimum door thickness 16 mm ~ "
- Both handed

CUSTOM ORDERS ONLY MINIMUM QUANTITY 50X

24.2259 **SET: Mechanism, Button, Ring, Strike**
Backset: 15 mm or 5/8"
Door thickness: 16 mm or 22/32"

24.225 **Push Button Mechanism**
 Case: 78 mm x 45 mm x 20 mm thick
 Nickel plated plastic with zamac parts
 For use with push-button and push-button-ring.

24.125 **Push Button Brass**
 22 mm x 20 mm x M6 (7/8" x 3/4" x M6)
 Specify finish, see page 2-3 in stock

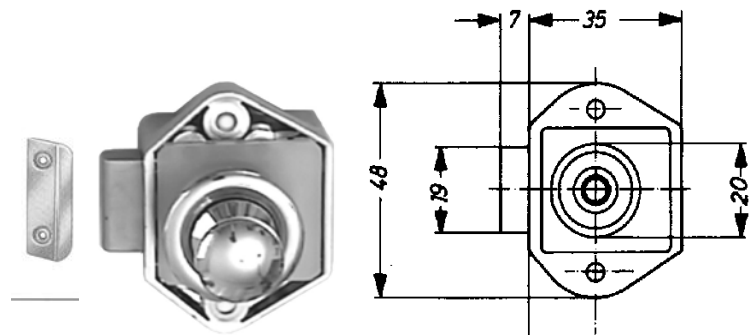
24.435 **Ring Brass "ANGLE"**
 20 mm x 9 mm (3/4" x 3/8")
 (Make hole of 20 mm / 25/32" with drill bit or router)
 Specify finish, see page 2-3

24.971 **Push Button Plastic, satin nickel**
 16 mm x 29 mm x M6 (5/8" x 3/4" x M6)
 Specify finish, see page 2-3

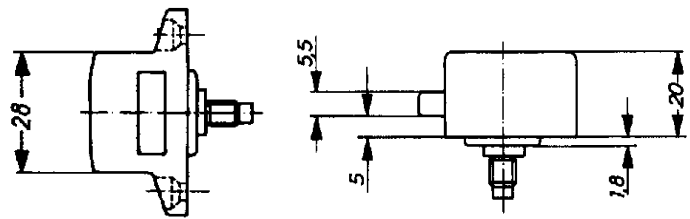
24.973 **Push button Ring plastic, satin nickel**
 22 mm x 9 mm (7/8" x 3/8")
 (Make hole of 7/8" with drill bit or router)
 Specify finish, see page 2-3

23.974 **Push Button plastic brass color**
 16 mm x 29 mm x M6 (5/8" x 3/4" x M6)
 Specify finish, see page 2-3

23.975 **Push button Ring plastic, brass color**
 30 mm x 18 mm (1 3/16" x 23/32")
 (Make hole of 1 3/16" with drill bit or router)
 Specify finish, see page 2-3

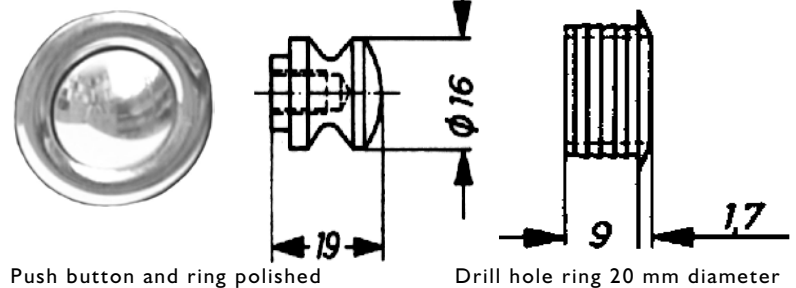
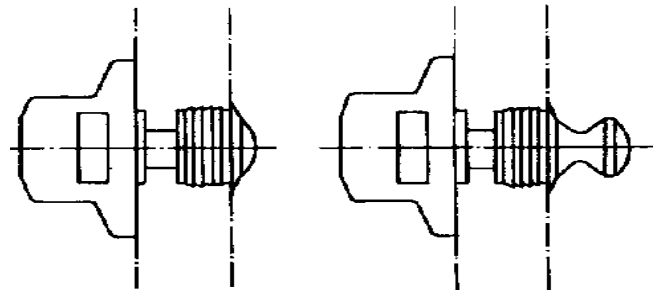


#24.2259 Mechanism set shown with button and ring and angle strike



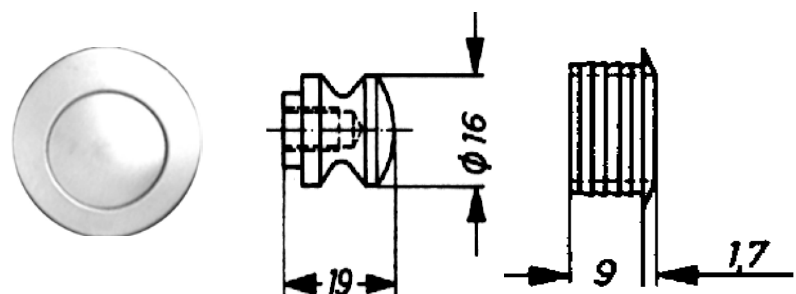
closed

open



Push button and ring polished

Drill hole ring 20 mm diameter



Push-button and ring satin

Drill hole ring 20 mm diameter





ORDER SET Mechanism WITH BIG ROUND BUTTON & SQUARE RING

2-3-5 C-A

"A SET MAKES THE INSTALLATION A SUCCESS"

SET CONSIST OF THE FOLLOWING PARTS:

ORDER SETS:

Polished Brass Lacquered button & square ring

25.2125: 25 mm backset mechanism with installation kit

Polished Gold Plated button & square ring

25.21251: 25 mm backset mechanism with installation kit

Polished Chrome Plated button & square ring

25.21252: 25 mm backset mechanism with installation kit

Satin Chrome button & square ring

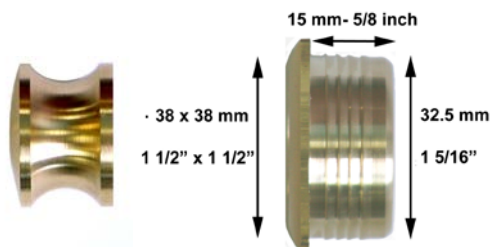
25.21253: 25 mm backset mechanism with installation kit

Polished Nickel button & square ring

25.21254: 25 mm backset mechanism with installation kit

Satin Nickel button & square ring

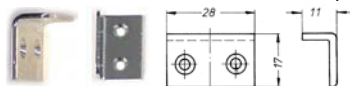
25.21255: 25 mm backset mechanism with installation kit



Button diameter: 28.2 mm or 1 1/8"

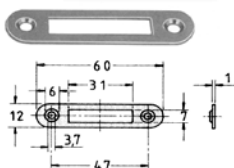
Strike plate, angle (included)

28 mm x 17 mm x 11 mm; nickel plated brass



23.012 Strike plate flush (order separate)

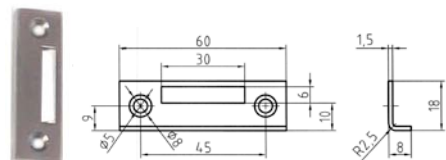
60 mm x 12 mm, nickel plated brass



23.052

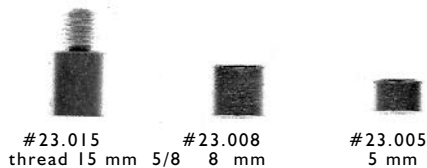
Strike for overlay doors (separate)

Stainless steel 60 x 18 x 8 mm



23.097

EXTENSIONS:

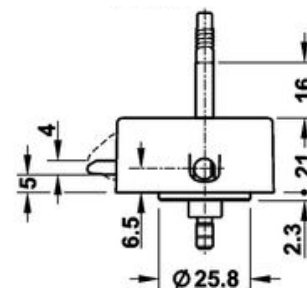
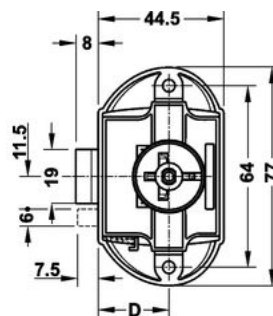


Button #24.812
Satin Nickel finish

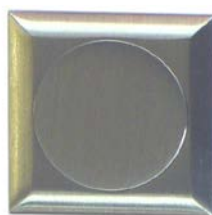
Ring #24.813
Satin Nickel finish

Mechanism:
#23.225
25 mm backset

Strike angle:
#23.012



MECHANISM D=1" BACKSET; DOORTHICKNESS 3/4".



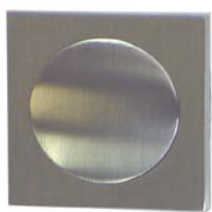
#24.811 + #24.813
Button flat + ring curved



#24.821 + #24.813
Button round + ring curved



#24.831 + #24.813
Button stepped + ring curved



#24.821 + #24.812
Button round + ring flat



#24.811 + #24.812
Button flat + ring flat



#24.831 + #24.812
Button stepped + ring flat

Pictures: Finish: Satin Nickel Material: Brass



"A SET MAKES THE INSTALLATION A SUCCESS"

SET CONSIST OF THE FOLLOWING PARTS:

ORDER SETS:

With lacquered brass oval button & ring

24.21251: 25 mm backset mechanism with installation kit

With polished chrome oval button & ring

24.21252: 25 mm backset mechanism with installation kit

With satin chrome oval button & ring

24.21253: 25 mm backset mechanism with installation kit

With polished nickel oval button & ring

24.21254: 25 mm backset mechanism with installation kit

With satin nickel oval button & ring

24.21255: 25 mm backset mechanism with installation kit



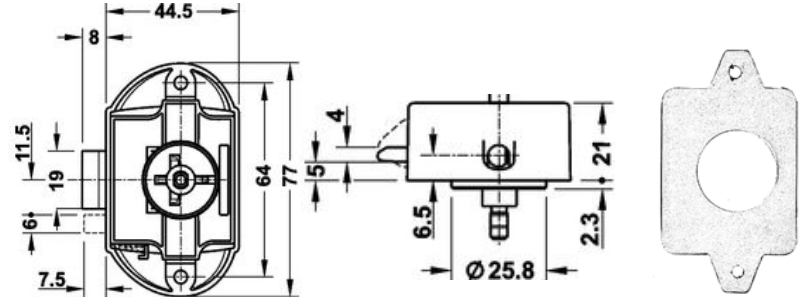
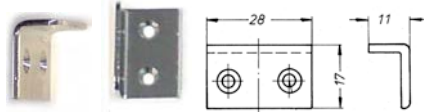
Button #24.121
Oval brass

Ring #24.122
Oval brass

Mechanism:
#23.225
25 mm backset

Strike #23.012

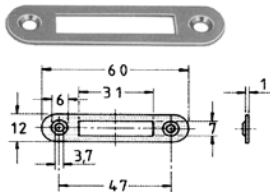
23.012 **Strike plate angle (included)**
28 mm x 17 mm x 11 mm; nickel plated brass



#23.225 mechanism, plastic nickel coated

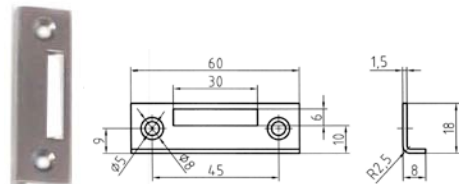
#23.067 Filler plate 1 mm

23.052 **Strike plate flush (order separate)**
60 mm x 12 mm, nickel plated brass



MECHANISM D = 1" BACKSET; DOOR THICKNESS 3/4".

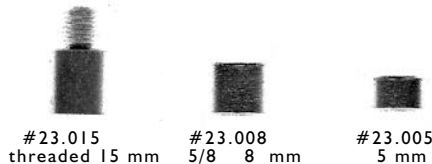
23.097 **Strike for overlay doors (separate)**
Stainless steel 60 x 18 x 8 mm



OVAL BUTTON AND RING INCLUDED IN SET:



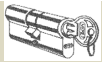
EXTENSIONS:



#23.015 threaded 15 mm

#23.008 5/8 8 mm

#23.005 5 mm



Izerwaren
Order
numbers

- Cabinet Rim lock, backset 15 mm - "
- Minimum door thickness 16 mm ~ "
- Both handed

CUSTOM ORDERS ONLY MINIMUM QUANTITY 50X

24.2259 **SET: Mechanism, Button, Ring, Strike**
Backset: 15 mm or 5/8"
Door thickness: 16 mm or 22/32"

24.225 **Push Button Mechanism**
 Case: 78 mm x 45 mm x 20 mm thick
 Nickel plated plastic with zamac parts
 For use with push-button and push-button-ring.

24.125 **Push Button Brass**
 22 mm x 20 mm x M6 (7/8" x 3/4" x M6)
 Specify finish, see page 2-3 in stock

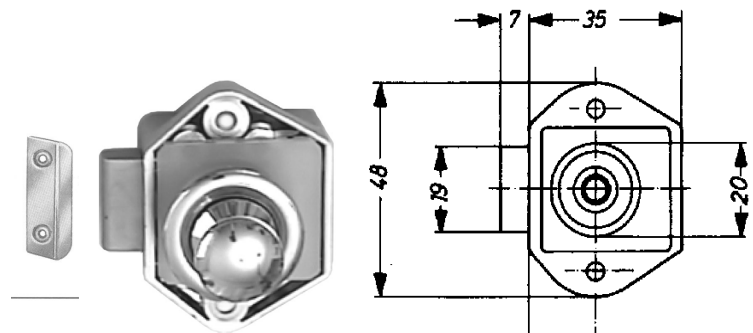
24.435 **Ring Brass "ANGLE"**
 20 mm x 9 mm (3/4" x 3/8")
 (Make hole of 20 mm / 25/32" with drill bit or router)
 Specify finish, see page 2-3

24.971 **Push Button Plastic, satin nickel**
 16 mm x 29 mm x M6 (5/8" x 3/4" x M6)
 Specify finish, see page 2-3

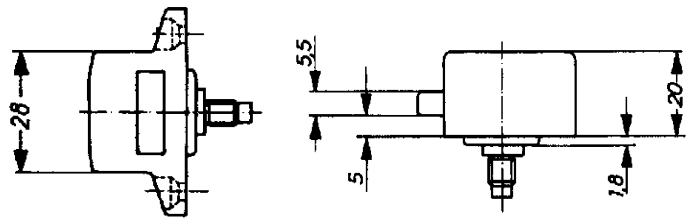
24.973 **Push button Ring plastic, satin nickel**
 22 mm x 9 mm (7/8" x 3/8")
 (Make hole of 7/8" with drill bit or router)
 Specify finish, see page 2-3

23.974 **Push Button plastic brass color**
 16 mm x 29 mm x M6 (5/8" x 3/4" x M6)
 Specify finish, see page 2-3

23.975 **Push button Ring plastic, brass color**
 30 mm x 18 mm (1 3/16" x 23/32")
 (Make hole of 1 3/16" with drill bit or router)
 Specify finish, see page 2-3

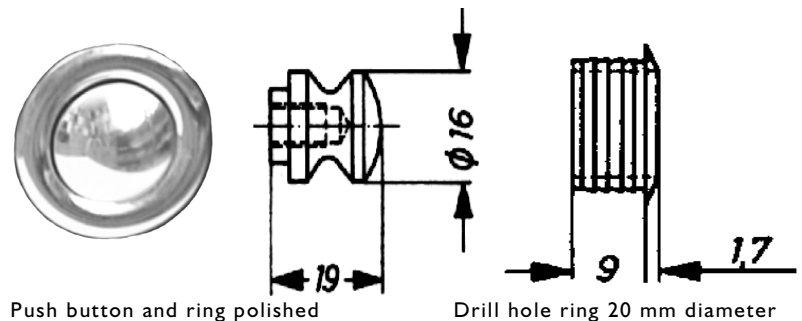
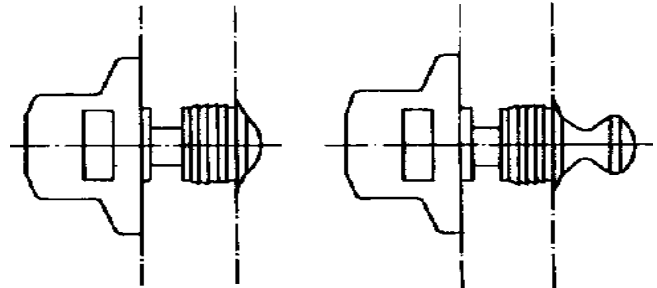


#24.2259 Mechanism set shown with button and ring and angle strike



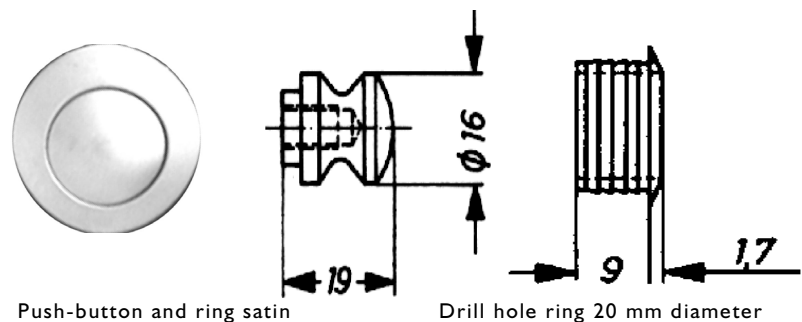
closed

open



Push button and ring polished

Drill hole ring 20 mm diameter



Push-button and ring satin

Drill hole ring 20 mm diameter



ORDER **BUTTONS AND RINGS** for Aluminum push button mechanism separately

2-3-5 E



- #24.552: Button polished stainless steel
- #24.553: Ring polished stainless steel
- #24.552.1: Button polished titanium gold coated stainless steel
- #24.553.1: Ring polished titanium gold coated stainless steel
- #24.552.2: Button satin stainless steel
- #24.553.2: Ring satin stainless steel



- #24.125.106: Button polished lacquered brass
- #24.135.106: Ring polished lacquered brass
- #24.125.298: Button titanium coated gold color
- #24.135.298: Ring titanium coated gold color



- #24.125.296: Button satin lacquered brass color
- #24.135.596: Ring satin lacquered brass color
- #24.125.298: Button satin titanium coated gold color
- #24.135.598: Ring satin titanium coated gold color



- #24.125.266: Button polished chrome plated brass
- #24.135.266: Ring polished chrome plated brass
- #24.125.566: Button satin chrome plated brass
- #24.135.566: Ring satin chrome plated brass
- #24.125.266: Button polished nickel plated brass
- #24.135.266: Ring polished nickel plated brass
- #24.125.566: Button satin nickel plated brass
- #24.135.566: Ring satin nickel plated brass



- #24.125.176: Button red copper plated brass
- #24.135.176: Ring red copper plated brass



- #24.125.546: Button satin dark bronze
- #24.135.546: Ring satin dark bronze



- #24.121.106: Button polished lacquered brass
- #24.122.106: Ring polished lacquered brass
- #24.121.266: Button polished chrome plated brass
- #24.122.266: Ring polished chrome plated brass
- #24.121.566: Button satin chrome plated brass
- #24.122.566: Ring satin chrome plated brass
- #24.121.256: Button polished nickel plated brass
- #24.122.256: Ring polished nickel plated brass
- #24.121.556: Button satin nickel plated brass
- #24.122.556: Ring satin nickel plated brass



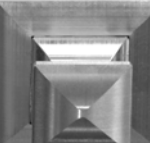
- #23.705.260: Button polished chrome plated die cast brass
- #24.715.260: Ring polished chrome plated die cast brass
- #23.705.280: Button polished gold plated die cast brass
- #24.715.280: Ring polished gold plated die cast brass



- #23.450.260: Button polished chrome plated brass
- #24.451.260: Ring polished chrome plated brass
- #23.450.280: Button polished gold plated brass
- #24.451.280: Ring polished gold plated brass



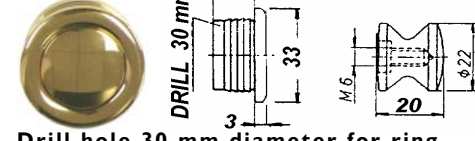
- #24.791 square button brass
 - #24.792 ring brass
- Call or email office for finish ID and codes



ALL PARTS DESIGNED TO WORK WITH IZERWAREN ALUMINUM MECHANISM ONLY



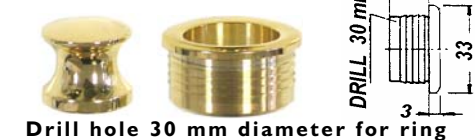
Drill hole 26 mm diameter for ring



Drill hole 30 mm diameter for ring



Drill hole 30 mm diameter for ring



Drill hole 30 mm diameter for ring



Drill hole 30 mm diameter for ring



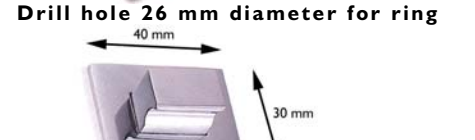
Drill hole 30 mm diameter for ring



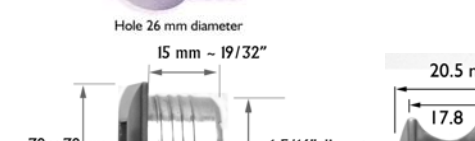
Drill hole 26 mm diameter for ring



Drill hole 26 mm diameter for ring



Drill hole 26 mm diameter



Drill hole 1 5/16 inch diameter for ring

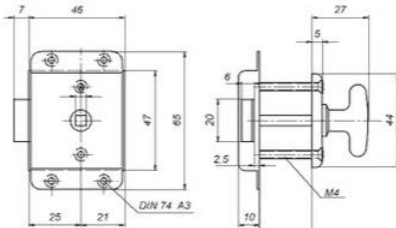
for Exceptional European Hardware



Izerwaren
Order
numbers

• Brass cabinet latches and locks
Finish: Chrome plated brass
Marine Rim Latches (Slam Latch Action)

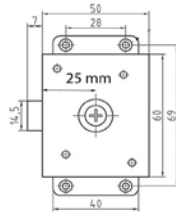
21.309 **Latch #4309;** 25 mm backset, for 5 x 5 mm spindle; with strike Case 46 x 65 mm polished chrome plated brass Knob set #4309K separate order Strike #4309S



Latch #21.309; 25 mm backset, brass chrome plated 5 x 5 mm spindle with knob + rose



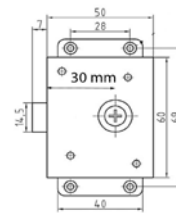
21.709-25 **Latch #3709;** 25 mm backset, for 7 x 7 mm spindle; with strike Case 50 x 78 mm polished chrome plated brass Strike #3709S



Latch #21.709-25; 25 mm backset brass chrome plated 7 x 7 mm spindle



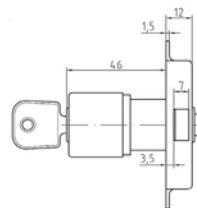
21.709-30 **Latch #3709;** 30 mm backset, for 7 x 7 mm spindle; with strike Case 50 x 78 mm polished chrome plated brass Strike #3709S



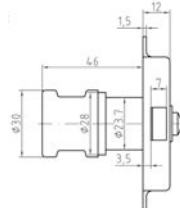
Latch #21.709-30; 30 mm backset, brass chrome plated 7 x 7 mm spindle SET: 21.719-30 #16.087 oval knob with #oval rose



21.711Z **Latch #3711Z;** 30 mm backset, With cylinder keyway in knob; with strike Case 50 x 78 mm polished chrome plated brass with steel parts



latch #21.711Z; 30 mm backset, brass chrome plated

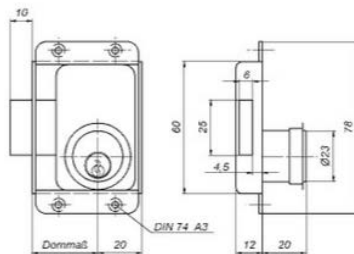


21.711K

21.711K **Latch #3711K;** 30 mm backset, With Knob and with strike Case 50 x 78 mm polished chrome plated brass thickness of door 3/4".

Marine Rim Lock

21.73Z **Deadbolt #3273Z;** 25 mm backset, (also avail. 20, 30 mm backset) With cylinder keyway, with strike Case 45 x 78 mm polished chrome plated brass thickness of door 3/4".



latch #3273Z; 25 mm backset, brass chrome plated; also with 20, 30 mm backset For door thickness from 5/8" to 1 3/16."



Push Pin Marine Rim Latches (with Slam Latch Action)



#21.515 Push Pin Latch; 15 mm (5/8 inch) backset



#21.503 Push pin Latch 22.5 mm (3/4 inch) backset



#24.1520 Push Pin latch with pull 15 mm (5/8 inch) backset

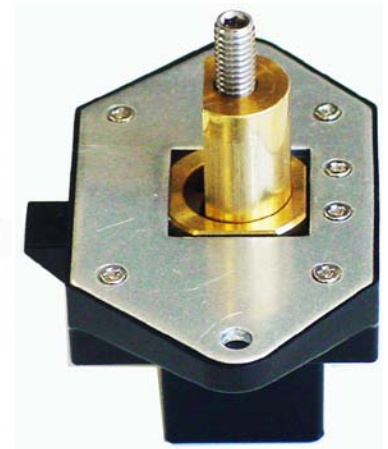
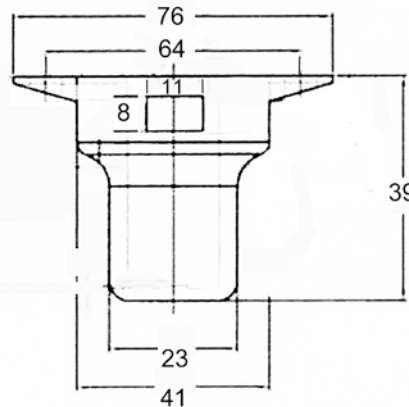
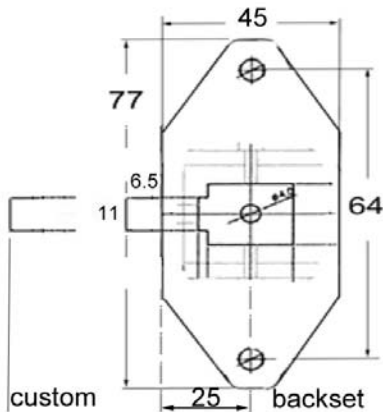


#24.5175 Pull separate

For more exterior grade marine slam latches with push pin see page 2-1-A



**SLAM LATCH WITH PUSH/PULL MECHANISM
WITH 1 INCH BACKSET FOR 3/4 INCH THICK DOORS**



#25.525
Standard Mechanism
Backset 25 mm

#25.5275 SET with S / S push button set; 25 mm backset
Drill hole 25 mm diameter for ring

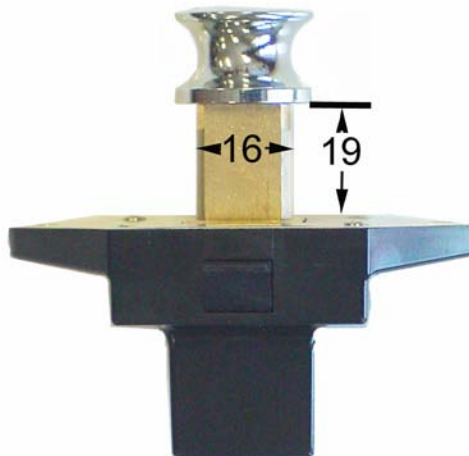
HOW TO OPERATE:

| | | | |
|---|--|--------------------------------------|---|
| <p>① Close drawer or door <i>(slam latch action; hands free action)</i></p> | <p>② Push to have button retracted</p> | <p>③ Push to have button pop out</p> | <p>④ Pull Button To open drawer or door <i>(latch retracts)</i></p> |
| | | | |



Front view "Pulled" extended
Latch bolt retracted, door opens

Position: ④



Front view extended
Button extended, door locks

Position: ③



Side view compressed
Button flush compressed, door locks

Position: ②

Door Thickness can vary from 5/8" to 1 1/4" or more by use from fillerplates and spacers

Backset can vary from 3/4" to 3" or more by extending the latchbolt. Specify when order.



"A SET MAKES THE INSTALLATION A SUCCESS"

SET CONSIST OF THE FOLLOWING PARTS:

ORDER SETS:

With polished stainless steel button & ring

- 25.5275: 25 mm backset mechanism with installation kit
- 25.5995: Custom backset mechanism with installation kit

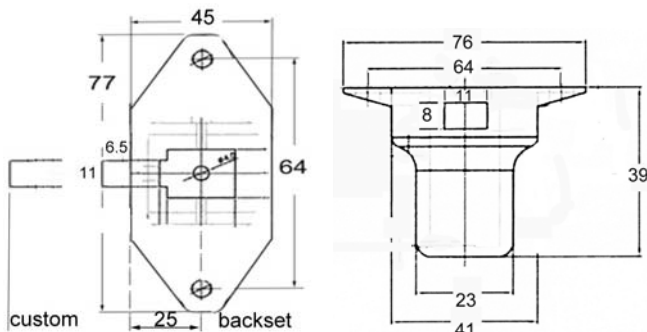
With satin stainless steel button & ring

- 25.5279: 25 mm backset mechanism with installation kit
- 25.5999: Custom backset mechanism with installation kit

Parts separate:

- 25.525: 25 mm backset mechanism only
- 22.9820: strike plate with lip; polished chrome
- 24.552: button stainless steel 316 mirror polished
- 24.553: ring stainless steel 316 mirror polished
- 24.559: spacer for button 6 mm
- 24.569: spacer for button 1 mm
- 24.557: Filler plate for body

More buttons & rings: See page 2-4-5 & 2-4-6



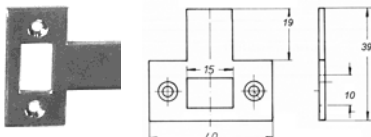
Dimensions mechanism in mm.

Roller bolt Strike plate



- 22.099 #22.099 Roller Bolt strike; 30 mm x 10 mm stainless steel

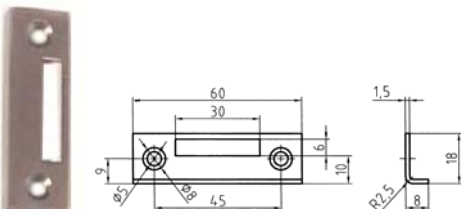
Strike plate for 3/4 inch doors



- 22.9820 #22.9820 strike for 3/4 inch thick doors
- 22.098S #22.098S strike for 5/8 inch doors
- 22.098L #22.098L strike for 1 1/4 inch doors

Strike for overlay doors (separate)

Stainless steel 60 x 18 x 8 mm



- 23.097 #23.097 strike plate stainless steel. For use with overlay doors applications



Button #24.552
316 stainless steel

Ring #24.553
316 stainless steel

2x Button Spacers
#24.569

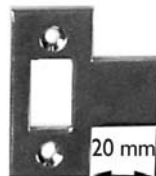
2x Button Spacer
#24.559
6 mm (1/4") thick

2x Filler Plate
#24.557
1 mm thick

Mechanism:
Select backset
when ordering
standard:
25 mm backset
#25.525



Threaded rod M6



3/4 inch door thickness
Strike plate
#22.9820

SPECIFY BACKSET MECHANISM

STANDARD BACKSET: 25 MM OR 1 INCH.

STAINLESS STEEL BUTTON AND RING INCLUDED IN SET:



Drill hole 26 mm diameter for ring

**FOR MORE Buttons and Rings and Finishes,
Please see page 2-4-5 AND 2-4-6**



SET CONSIST OF THE FOLLOWING PARTS:

ORDER SETS:

With Polished Brass button & ring

- 25.6253: 25 mm backset mechanism with installation kit
- 25.6995: Custom backset mechanism with installation kit

With Satin Brass button & ring

- 25.6379: 25 mm backset mechanism with installation kit
- 25.6999: Custom backset mechanism with installation kit

With Satin Nickel button & ring

- 25.6379: 25 mm backset mechanism with installation kit
- 25.6998: Custom backset mechanism with installation kit

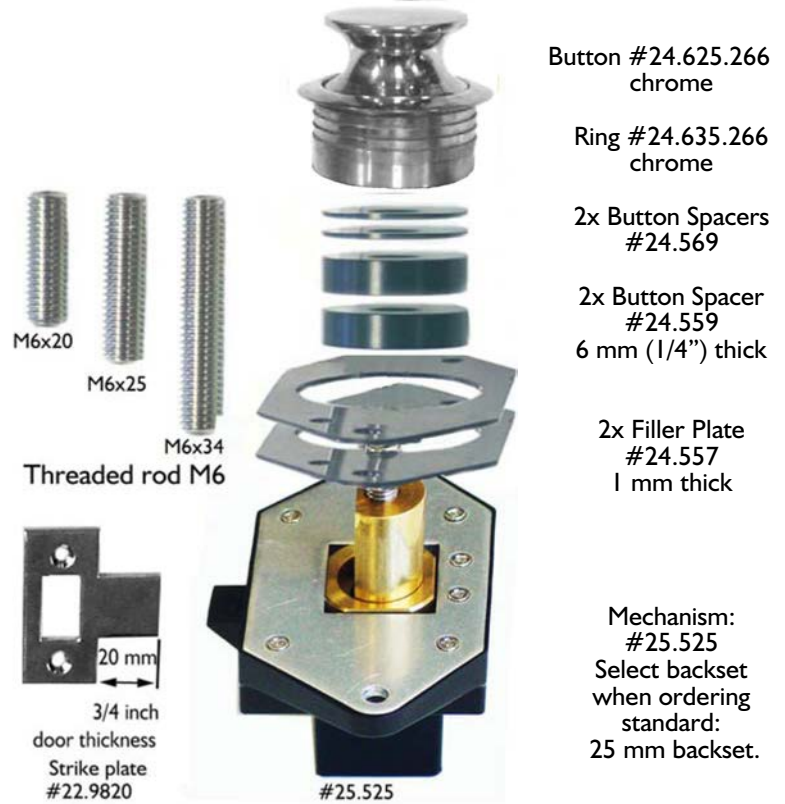
With Polished Chrome button & ring

- 25.7254: 25 mm backset mechanism with installation kit
- 25.7999: Custom backset mechanism with installation kit

Parts separate:

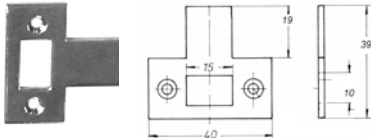
- 24.525: 25 mm backset mechanism only
- 24.9820: strike plate with lip; polished chrome
- 24.125.106: button brass polished
- 24.135.106: ring brass polished
- 24.125.266: button chrome polished
- 24.135.266: ring chrome polished
- 24.559: spacer for button 6 mm
- 24.569: spacer for button 1 mm
- 24.557: filler plate for body 1 mm

Please see page 2-4-5 for more buttons & rings



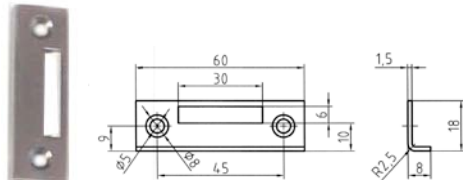
**SPECIFY BACKSET MECHANISM
STANDARD BACKSET: 25 MM OR 1 INCH.**

Strike plate for 3/4 inch doors

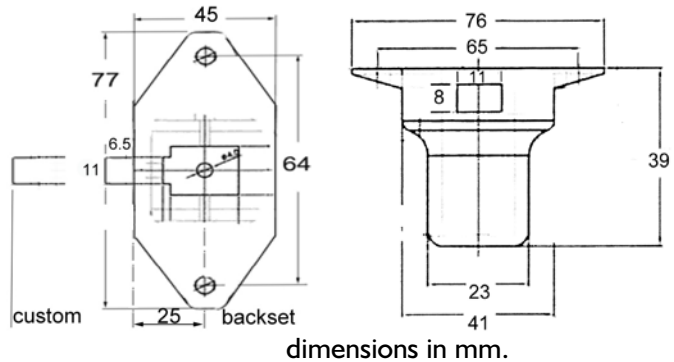


- 22.9820 #22.9820 strike for 3/4 inch thick doors
- 22.098S #22.098S strike for 5/8 inch doors
- 22.098L #22.098L strike for 1 1/4 inch doors

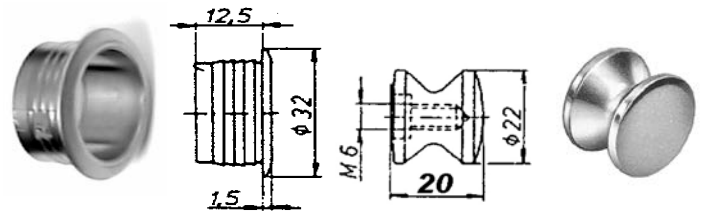
Strike for overlay doors (separate)
Stainless steel 60 x 18 x 8 mm



- 23.097 #23.097 strike plate stainless steel. For use with overlay doors applications. Please order separate



STAINLESS STEEL BUTTON AND RING INCLUDED IN SET:



Drill hole 26 mm diameter for ring

This set allows for installation for any door thickness from 1 1/16 To 1 1/4 inch thick doors, by simply applying the filler plates, button spacers and threaded rods in any desired combination.
Angle strike #23.012 is included with the set. Specify other strikes as needed.
Separate buttons, rings, parts list of page and page



SET CONSIST OF THE FOLLOWING PARTS:

ORDER SETS:

With Polished Brass button & ring

- 25.8253: 25 mm backset mechanism with installation kit
- 25.8995: Custom backset mechanism with installation kit

With Satin Brass button & ring

- 25.8379: 25 mm backset mechanism with installation kit
- 25.8999: Custom backset mechanism with installation kit

With Satin Nickel button & ring

- 25.8479: 25 mm backset mechanism with installation kit
- 25.8799: Custom backset mechanism with installation kit

With Polished Chrome button & ring

- 25.8254: 25 mm backset mechanism with installation kit
- 25.8699: Custom backset mechanism with installation kit

Parts separate:

- 25.525: 25 mm backset mechanism only
- 22.9820: strike plate with lip; polished chrome
- 24.821.106: button brass polished
- 24.813.106: ring brass polished
- 24.821.556: button satin nickel
- 24.813.556: ring satin nickel

- 24.559: spacer for button 6 mm
- 24.569: spacer for button 1 mm
- 24.557: filler plate for body 1 mm

Button #24.812

Square Ring #24.813

2x Button Spacers #24.569

2x Button Spacer #24.559

6 mm (1/4") thick

2x Filler Plate #24.557
1 mm thick

Mechanism: #25.525
Select backset when ordering standard: 25 mm backset.

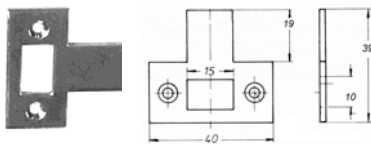


Roller bolt Strike plate



- 22.099 #22.099 Roller Bolt strike; 30 mm x 10 mm stainless steel

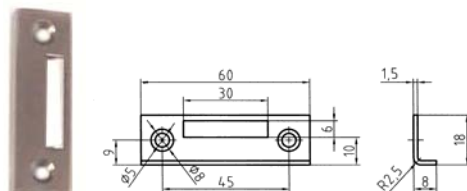
Strike plate for 3/4 inch doors



- 22.9820 #22.9820 strike for 3/4 inch thick doors
- 22.098S #22.098S strike for 5/8 inch thick doors
- 22.098L #22.098L strike for 1 1/4 inch thick doors

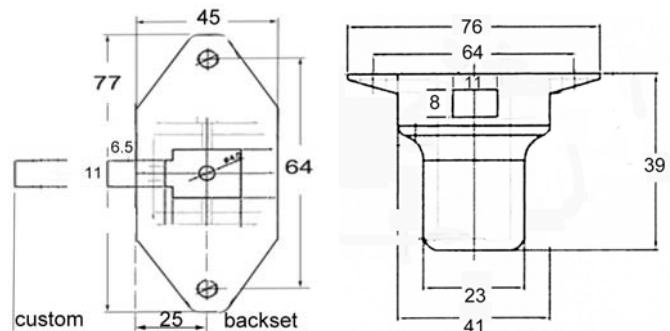
Strike for overlay doors (separate)

Stainless steel 60 x 18 x 8 mm

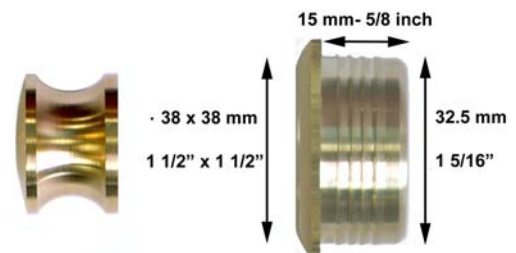


- 23.097 #23.097 strike plate stainless steel. For use with overlay doors applications Please order separate

**SPECIFY BACKSET MECHANISM
STANDARD BACKSET: 25 MM OR 1 INCH.**



BUTTON AND RING INCLUDED IN SET:



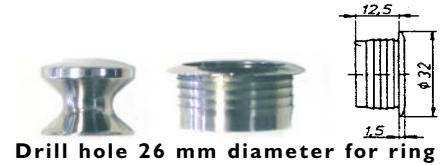
Button diameter: 28.2 mm or 1 1/8"
Drill hole 1 5/16 inch diameter for ring

This set allows for installation for any door thickness from 1 1/16 To 1 1/4 inch thick doors, by simply applying filler plates, button spacers and threaded rods in any desired combination. Angle strike #23.012 is included with the set. Other strikes are special order.. Separate buttons and rings see page 2-4-5 and page 2-4-6



THIN WALL 316 STAINLESS STEEL BUTTON AND RING

- #24.552: Button polished stainless steel
- #24.553: Ring polished stainless steel
- #24.5521: Button polished titanium gold coated stainless steel
- #24.5531: Ring polished titanium gold coated stainless steel
- #24.5522: Button satin stainless steel
- #24.5532: Ring satin stainless steel



Drill hole 26 mm diameter for ring



THIN WALL OVAL BRASS BUTTON AND RING

- #24.121.106: Button polished lacquered brass
- #24.122.106: Ring polished lacquered brass
- #24.121.266: Button polished chrome plated brass
- #24.122.266: Ring polished chrome plated brass
- #24.121.566: Button satin chrome plated brass
- #24.122.566: Ring satin chrome plated brass
- #24.121.256: Button polished nickel plated brass
- #24.122.256: Ring polished nickel plated brass
- #24.121.556: Button satin nickel plated brass
- #24.122.556: Ring satin nickel plated brass

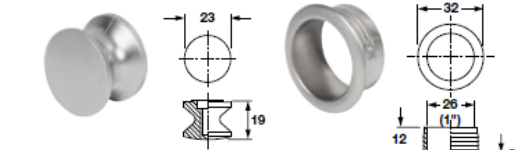


Router oval hole 25 x 41 mm for ring



THIN WALL BRASS BUTTON AND RING

- #24.625.106: Button polished lacquered brass
- #24.635.106: Ring polished lacquered brass
- #24.625.266: Button polished chrome plated
- #24.635.266: Ring polished chrome plated brass
- #24.625.556: Button satin nickel brass
- #24.635.556: Ring satin nickel brass



Drill hole 26 mm diameter for ring

Please call our office about custom finishes

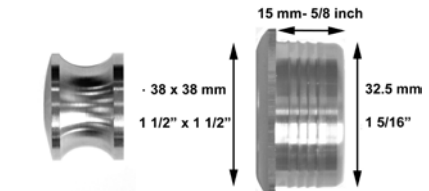
CUSTOM FINISH

- #24.125.999: Button, custom finish
- #24.135.999: Ring, custom finish

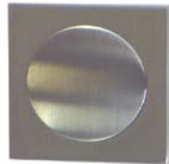


FLAT SQUARE BRASS RING WITH FLAT BUTTON

- #25.811.556: Button Flat satin nickel brass
- #25.812.556: Square Ring Flat satin nickel brass
- #25.811.266: Button Flat polished chrome plated
- #25.812.266: Square Ring Flat polished chrome plated brass

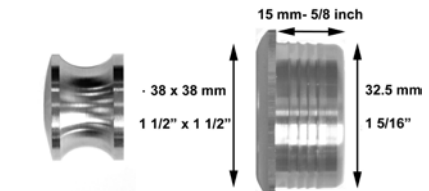


Drill hole 1 5/16 inch diameter for ring



FLAT SQUARE BRASS RING WITH ROUND BUTTON

- #25.821.556: Button Flat satin nickel brass
- #25.812.556: Square Ring Flat satin nickel brass
- #25.821.266: Button Round polished chrome plated
- #25.812.266: Square Ring Flat polished chrome plated brass



Drill hole 1 5/16 inch diameter for ring

ALL BUTTON AND RINGS WORK WELL WITH 3/4 INCH OR 19 MM THICK MATERIAL.

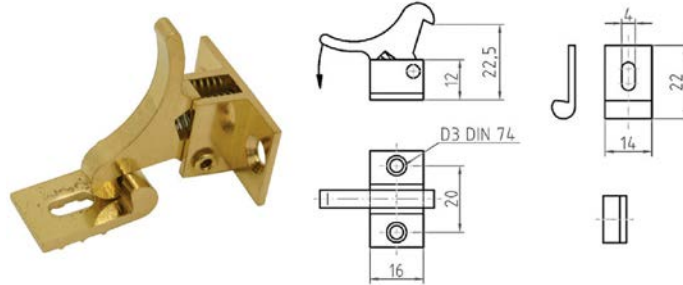
USE FILLR PLATES ON THE MECHANISM WHEN MATERIAL IS LESS THEN 3/4" THICK

USE EXTENSION BUSHINGS BEHIND THE BUTTON WHEN THE MATERIAL IS THICKER THEN 3/4 INCH



Izerwaren
Order
numbers

21.516 **Finger pull (5160/61)**
with elbow catch, strike and
latch operates by pulling lever with
finger, through hole in door.
Cover ring in hole in door:
drill 29 mm hole; OD: 34 mm ID: 23 mm
strike plate included; both handed



Finger pull #21.516 elbow catch; latch operates by pulling lever with finger, through hole in door. Strike plate included; both handed

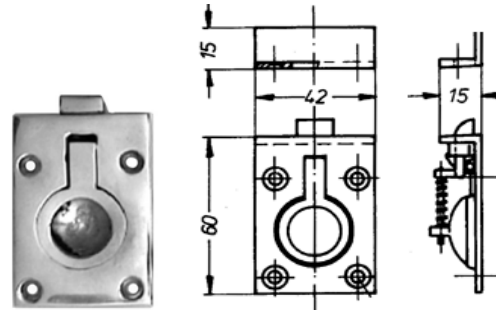
21.2801 **Ring (631.02.801) Brass Polished**
Diameter 35 mm; 18 mm high;

21.2701 **Ring (631.02.701) Satin Nickel**
Diameter 35 mm; 18 mm high;



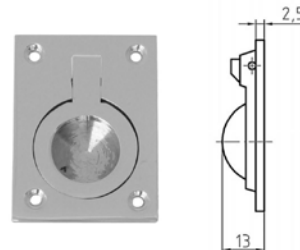
#21.2801 Brass #21.2701 nickel Brass Cover ring for hole in door:
Drill 35 mm hole; D = 35 mm; A = 19 mm

24.160 **Flush Pull Lift with latch (4108)**
Brass, polished chrome plated,
Strike plate included.
Body: 60 x 40 mm - 2 3/8" x 1 9/16";
Strike: 15 x 15 mm - 5/8" x 5/8"
mortise depth: 18 mm - 11/16"



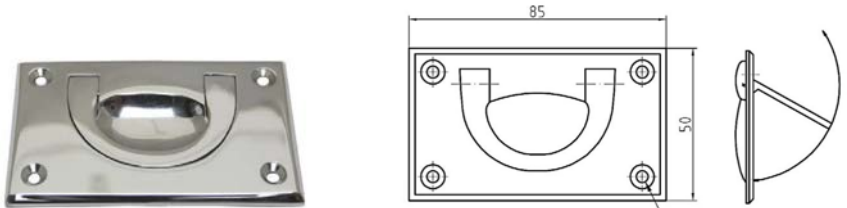
Finger pull catch #24.160 brass chrome plated

46.108 **Flush Pull**
Brass, polished chrome plated,
Dimensions: 52 x 37 x 13mm
mortise depth: 13 mm 5/8"



Flush pull #46.108 chrome plated: 52 x 37 mm

46.020 **Flush Pull**
Brass, polished chrome plated,
Dimensions: 85 x 50 x 13mm
mortise depth: 13 mm 5/8"



Flush pull #46.020 chrome/brass 85 x 50 mm.

43.214 **Flush Pull** stainless steel
2 1/4" x 3" ~ 57 x 76 mm
316 Cast Stainless steel

43.215 **Flush Pull** stainless steel
Dimensions: 2 1/2" x 1 3/4"
316 Cast Stainless steel

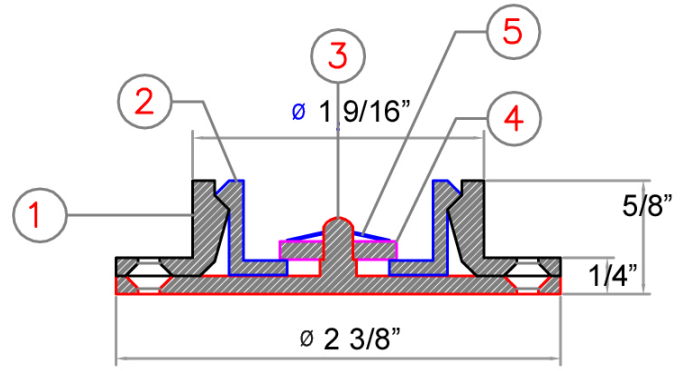
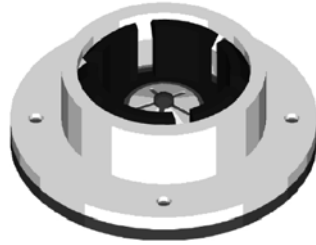
43.216 **Flush Pull** stainless steel
Dimensions: 1 1/2" x 1 15/16"
316 Cast Stainless steel



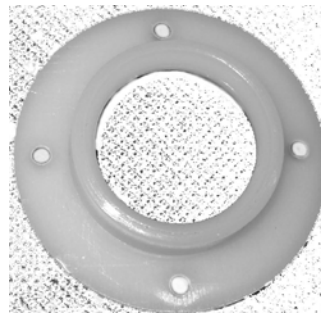
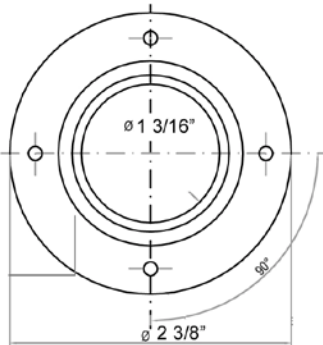
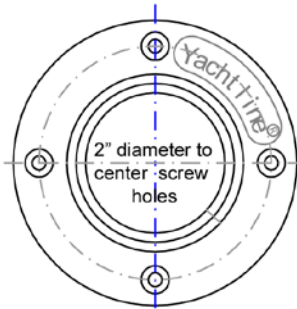
Flush Pull #43.214
3" x 2 1/4"

#43.215;
1 3/4" x 2 1/2"

#43.216;
1 1/2" x 1 15/16"



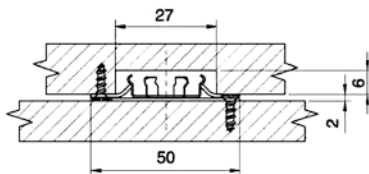
43.FLS SET: Sure Catch Clips part 1 and 2 clipped together



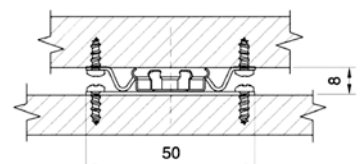
part #1

part #2

Outer diameter: $2 \frac{3}{8}"$ diameter inner hole: $1 \frac{3}{16}"$ Distance screw holes $2"$ across
SIDE WAYS MOVEMENT OF $\frac{5}{32}"$ ALLOWING EAZY INSTALLATION
DRILL HOLE OF $1 \frac{5}{8}"$ FOR INSTALLING TOP PIECE (2)



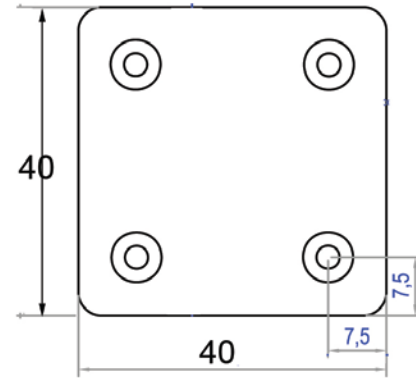
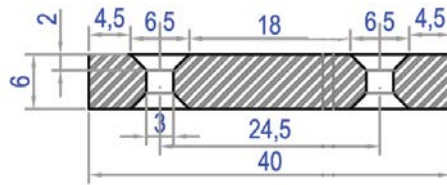
#43.FLI; Clip Stainless Steel;



#43. FLIF; Clip stainless steel.

For fire rated applications

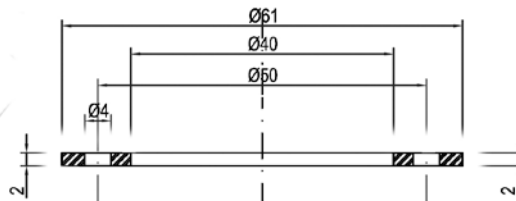
Please see also page 2-5-2 for more details



End stop block part #43.CBLOCK 1 9/16' X 1 9/16''

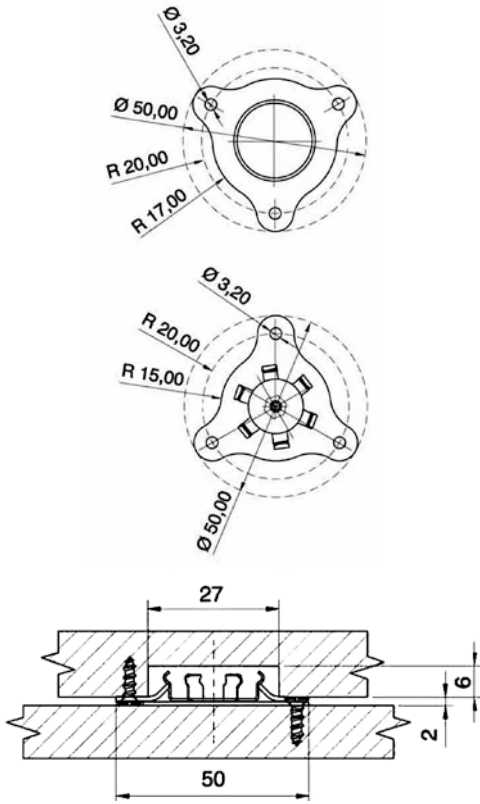


**Sliding Clips for sideways mounting. Sizes: 61 mm wide 38 mm high each. 2 3/8'' x 2 1/2''
Double: 61 mm wide x 56 mm high 2 3/8'' x 2 3/16''
Part #43.CSLIDE**



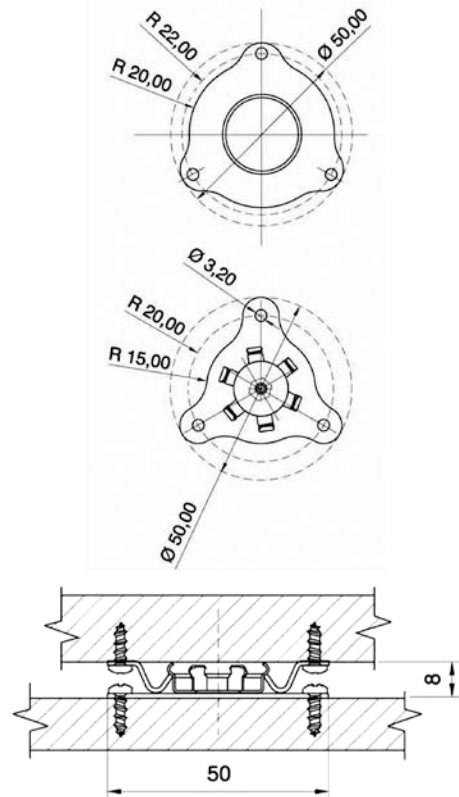
Filler Ring for Sure Catch Clips 2 mm thick. Part #43.CFIL 2 3/8'' Outside Diameter





43.FLI;

SET Sure Catch Clip with 2 mm distance between panels. Material: 304 **STAINLESS STEEL**
Force rating 24 lbs



43.FLIF;

SET Sure Catch Clip with 8 mm distance between panels. Material: 304 **STAINLESS STEEL**
Force rating 24 lbs



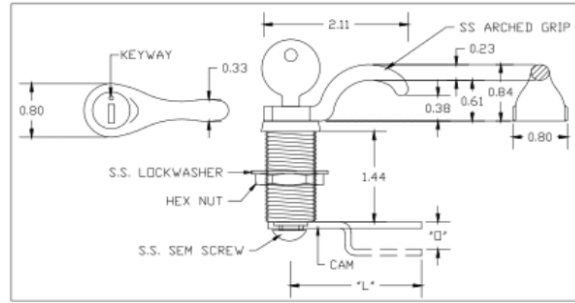
- For any panel applications that requires conforming to fire codes
 - For Marine Applications and other recreational vehicles



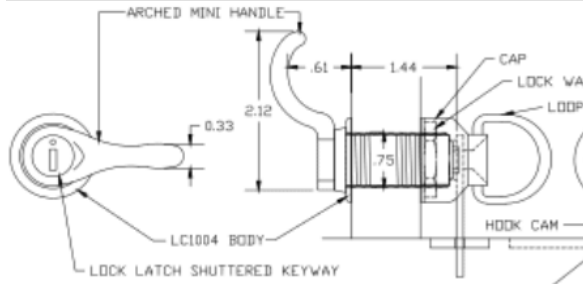
Marine Grade Cam Locks with lever and keyway - Light duty



43.930 Cam latch with small lever and key lock
90 degree swing; 1 3/4 inch long lever.
No back mounted lever or ring

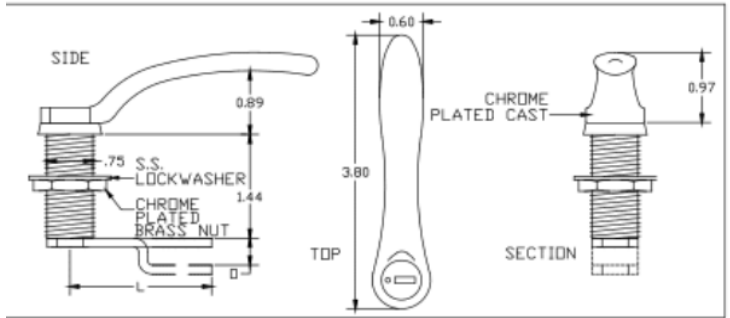


43.1030 Cam latch with lever and backside ring lever, lockable with key.
For 25 mm or 1 inch thick doors

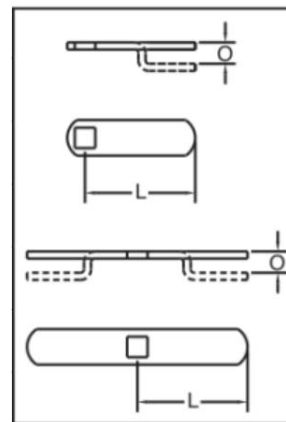
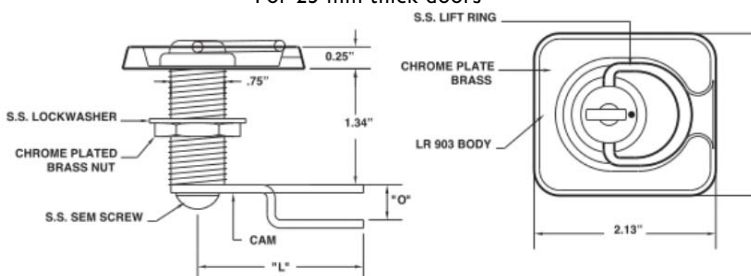


43.1029 Cam latch with levers and key lock.
For up to 1 inch or 25 mm door thickness.
Cam action: 2 inches max. (see different cams)
Lever and cam have a 180 degree swing when unlocked.
Lever is 3 1/2 inch long; comes with 3 installation options:

- Use with a back mounted full side lever
- Use with a back mounted ring lever
- Use with cam only on back side



43.0102L Cam latch with key lock and ring lever
For 25 mm thick doors



Stainless steel strikes.
43.765 straight strike 2 inch long
43.766 straight strike 3 inch long
43.767 3/8 inch offset 2 inch long
43.768 straight strike double end 2 x 2 inch long
43.769 3/8" offset double end 2 x 2 inch



Izerwaren
Order
numbers

Offset Slam Latches

Stainless steel and zinc

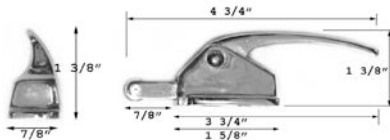
Latch for flush and overlay doors.
Polished chrome die cast zinc
Available in flush, or 1/8, and 3/8 inch offset.

- 88.2319 SET latch and strike flush
- 88.231 Latch only
- 88.232 88.232 strike flush
- 88.234 88.234 strike 1/8"
- 88.236 88.236 strike 3/8"

Latch for flush and overlay doors.
Polished chrome die cast zinc
Available in flush, with 1/8, and 3/8 inch offset

- 88.2389 SET: Latch and strike flush
- 88.238 88.238 latch only
- 88.239 88.239 strike flush
- 88.241 88.241 strike 1/8"
- 88.243 88.243 strike 3/8"

- 88.470 Latch for flush and overlay doors..
- 88.485 Flush strike (depicted)
- 88.486 Offset strike 3/4" offset (not depicted)



MINI LATCHES



SET: #88.2319 Latch for flush doors with strike. Polished chrome die cast zinc
Base: 1 1/2" x 2 1/8"; Strike 3/4" x 1 1/2". Flush Strike depicted
Available in flush, with 1/8, and 3/8 inch offset.



SET: #88.2389 Latch and strike for flush doors. Polished chrome die-cast zinc.
Base: 1 7/8" x 2 3/4"; Strike 7/8" x 1 7/8".
Available in flush, with 1/8, and 3/8 inch offset.

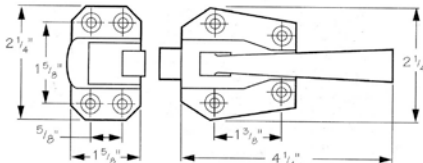
MEDIUM SIZE LATCHES



88.470 Latch for flush and overlay doors. Polished chrome die-cast zinc. Strike sold separate
88.485 Flush strike (depicted)
88.486 Offset strike 3/4" offset (not depicted)

- 88.130 Latch for up lay doors
For flush up to 1/2" inch offset only;
Strike included,
With padlock provision.

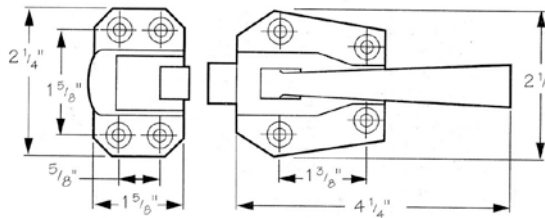
STAINLESS STEEL.



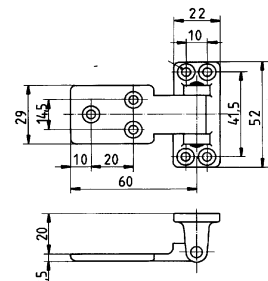
#88.130 Latch for overlay doors with 1/2 inch offset; **stainless steel**, with padlock provision
For flush and 1/2" offset applications
#88.131 for 5/8" to 1 1/4" applications
Base: 2 1/4" x 2 1/2". Strike included

- 88.131 Latch for overlay doors
For 5/8" up to 1 1/4" inch offset only;
Strike included,
With padlock provision

Stainless steel.



- 42.255 Off set hinge die-cast aluminum
29 x 60 mm; offset 20 mm (3/4 inch)



#42.255 door hinge 3/4" offset die-cast aluminum - sizes in mm.

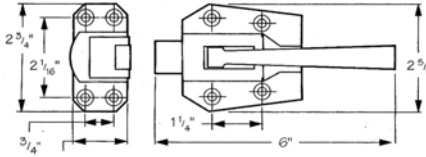


Izerwaren
Order
numbers

Toggle Devices and hatch fasteners
Stainless steel and brass
• seawater resistant

FULL SIZE LATCH 1/2 INCH OFFSET with padlock option

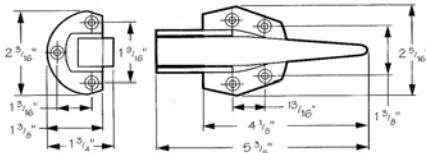
88.163 Latch for up lay doors with 1/2 inch offset; Strike included, with padlock provision **stainless steel**



88.163 Latch for up lay doors with 1/2 inch offset; **stainless steel**, with padlock provision Base 2 5/8" x 3" Strike included

FULL SIZE LATCH 1/2 INCH OFFSET AND FLUSH SETUP

88.066 Latch, toggle style, **stainless steel**
88.067 Strike separate polished chrome
Adjustable 5/8 to 1 1/4 inch



Mechanism 88.066, strike 88.067



#88.066 Latch for up lay doors with 1/2 inch offset; **stainless steel**, with padlock provision Base 2 5/16 inch x 2 3/16 inch" Strike sold separate

#88.067 Strike for offset adjustable 5/8 x 1 1/4 inch

88.067S Strike for flush door application (custom made)

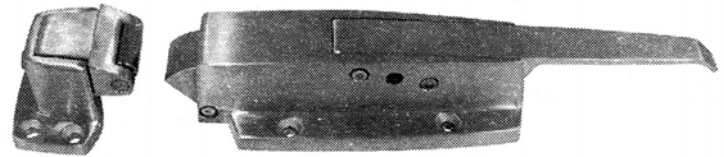


Latch #88.066 with flush strike #88.067S. Stainless steel
#88.067S Strike for flush application stainless steel

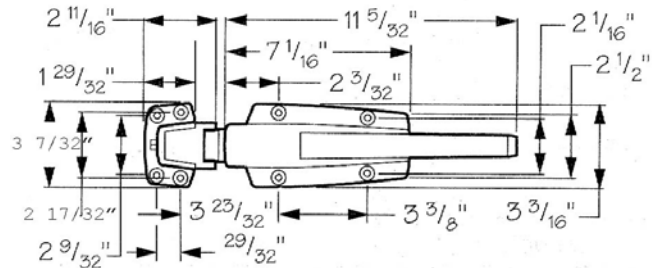
88.100 Latch, full size, for up lay doors; **Stainless steel**, Available with offset: 3/8, 3/4, 1 5/8, 2 1/2 inch



OVER SIZE LATCH FOR HEAVY DOORS 3/8; 3/4; 1 5/8 & 2 1/2 INCH OFFSET



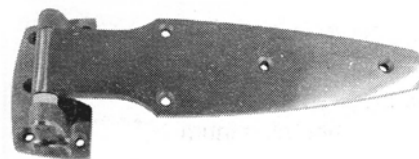
Latch for up lay doors, **stainless steel**
Strike separated
#88.001 **Pin** for back release (separate)



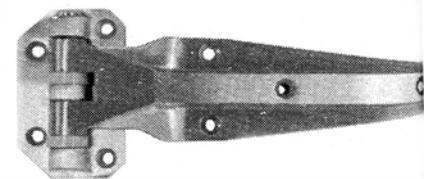
#88.100 Latch for up lay doors; **stainless steel**. Offset: 3/8, 3/4, 1 5/8, 2 1/2 inch.
#88.001 **Pin** for back release (order separate)

42.48105 Strap hinge 1 5/8 offset
13 1/2" x 5"
Stainless steel
Specify LEFT OR RIGHT

FULL SIZE STAINLESS STEEL STRAP HINGES



#42.48105 strap hinge 1 5/8 offset
13 1/2" x 5"



#42.48115 flush strap hinge
10 3/8" x 4 1/4"

42.48115 Strap hinge flush
10 3/8" x 4 1/4"
Stainless steel

DETAILS SEE PAGE 4-2-3

Specify LEFT OR RIGHT

More sizes stainless steel strap hinges: See page 4-2-3

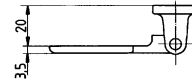
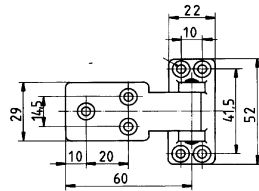


Izerwaren
Order
numbers

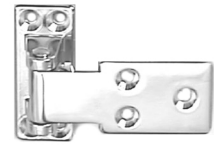
Hatch hinges, brass and die cast
aluminum and stainless steel

42.255

Hinge each, both handed
Light duty
Polished chrome plated dycast
Offset: 3/4" ~ 20 mm
Overall size: 60 x 52 mm



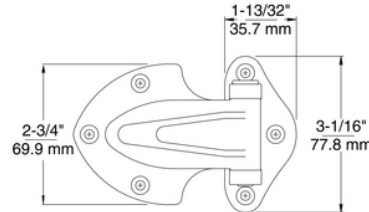
#42.255 door hinge 3/4" offset (20 mm)



#42.255 Door Hinge 3/4" offset
zinc dycast

42.40119

Hinge each, size: 3 1/2" x 3 1/16"
Medium Duty
Available in flush mounting or
offset.
Offset form 0 to 1 1/8" offset
Polished Chrome Dycast



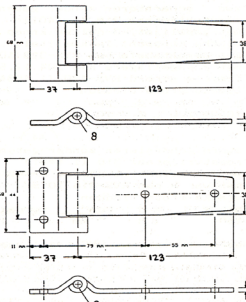
#42.40119; Size: 3 1/2" x 3 1/16" Medium Duty
Available in flush mounting or offset.
Offset from 0 to 1 1/8" offset



#42.40119 size: 3 1/2" x 3 1/16"
Polished chrome diecast

42.273

Hinge each, size: 4 inch leaf;
Heavy Duty
Flush mounting only
SATIN STAINLESS STEEL



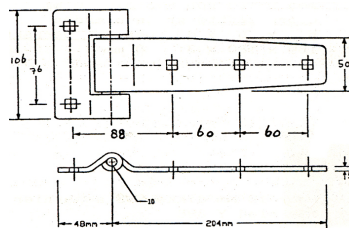
#42.273 with and without holes
Flush mounting only



#42.273; size: 4 inch; Heavy Duty
Available in flush mounting only
SATIN STAINLESS STEEL

42.7294

Hinge each, size: 8 1/4 inch leaf;
Heavy Duty
Flush mounting only
SATIN STAINLESS STEEL



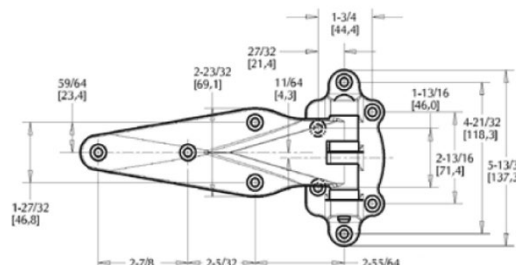
#42.7294 with and without holes
Flush mounting only



#42.7294; size: 9 3/4 inch; Heavy Duty
Available in flush mounting only
SATIN STAINLESS STEEL

42.40233

Hinges strap hinge flush
205 x 137 mm
8 1/8" x 5 13/32"
Chrome Plated Brass



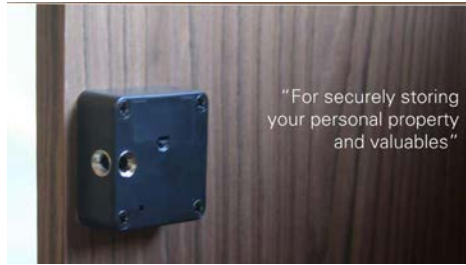
#42.40233 strap hinge flush 205 x 137 mm
8 1/8" x 5 13/32"



#42.40233 strap hinge flush 205 x 137 mm
8 1/8" x 5 13/32"
Polished Chrome Plated Brass

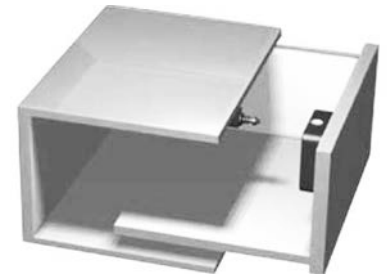


Key Card #28.012



Mechanism #28.000

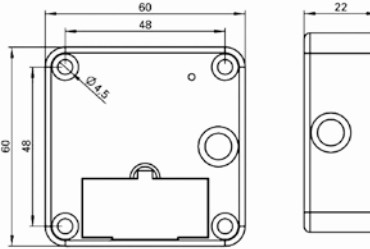
"For securely storing your personal property and valuables"



Strike #28.013 Mechanism #28.000



#28.000 Mechanism; front or side locking



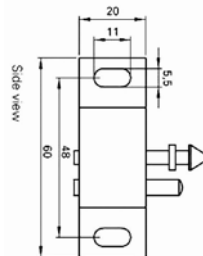
Front view Side view
Size: 2 3/8 x 2 3/8 x 7/8 inch



#28.015; 3 Volt battery Required for operation



#28.013 spring loaded strike



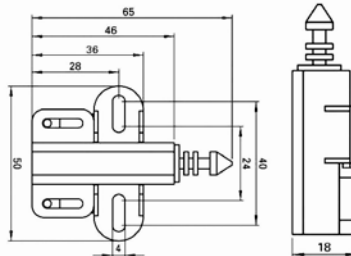
Side view
Size: 2 3/8 x 1 3/16 inch



#28.013 spring loaded strike; pushes door open



#28.001 breakaway strike with shear pin



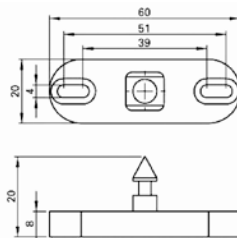
Size: 2 x 1 3/8 x 3/4 inch



Installation showing strike #28.001



#28.004 right angle strike



Size 2 3/8 x 1 3/16"



#28.233 Soft close pin with bracket
#28.234 Soft close pin -drill hole 3/8" inch
Length pin: 3/8" Length body: 2"
Helps to soft close and open doors/drawers



#28.901 Power supply for mechanism



#28.012 Key card (FOB) for thick material
Up to 1 1/4 thickness of wood



#28.009 Antenna with flat plate



#28.233 Soft close pin with bracket. Soft Length pin: 3/8" Length body: 2" Helps to soft close and open doors/drawers



#28.234 Soft close pin -drill hole 3/8" inch. Soft Length pin: 3/8" Length body: 2" Helps to soft close and open doors/drawers



#28.971 'blum' soft closer; heavy duty



#28.885 universal soft close pin with bracket 'salice' Heavy duty/hard hinge side



Hard - Hinge Side

Medium - Cabinet Centre

Soft - Handle Side



#28.896 Hard side; drill in mounting
#28.897 Medium hard; drill in mounting
#28.898 Light; drill in mounting



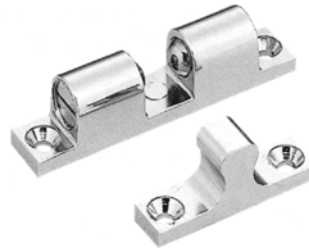


Izerwaren
Order
numbers

Tension catches
316 stainless steel housing, ball
304 stainless springs
Tension adjustable
Seawater resistant

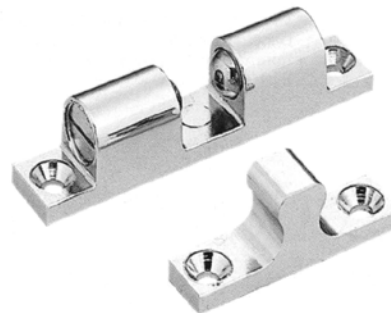
- 29.040 Tension Catch with Strike 43 mm
1 11/16 x 5/16 x 5/16 inch
Adjustable force, Stainless Steel
- 29.041 Strike Separate for 43 mm unit

STAINLESS STEEL TENSION CATCHES

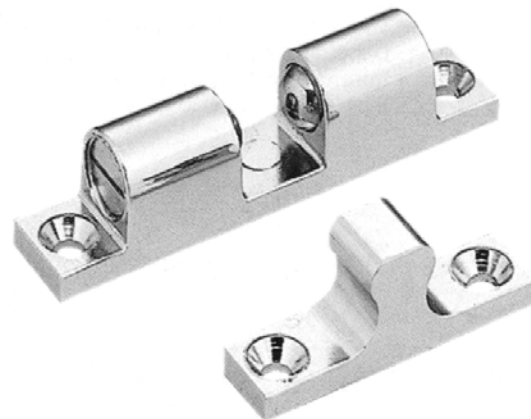
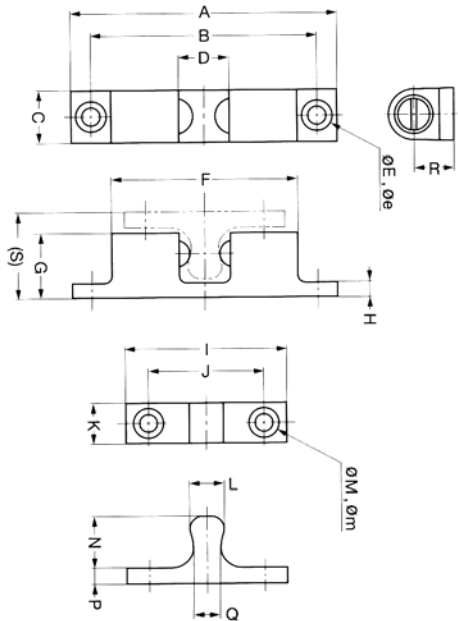


#29.040 Tension Catch; Strike included
Sizes: A= 43 mm long, (1 11/16")
K= 7.5 mm wide (5/16")
G= 7.5 mm high (5/16")

- 29.050 Tension Catch with Strike 50 mm
1 31/32 x 3/8 x 3/8 inch
Adjustable force, Stainless Steel
- 29.051 Strike Separate for 50 mm unit



#29.050 Tension Catch; Strike included
Sizes: A= 50 mm long, (1 31/32")
K= 9 mm wide (3/8")
G= 9.3 mm high (3/8")



- 29.070 Tension Catch with Strike 70 mm
2 3/4 x 7/16 x 1/2 inch
Adjustable force, Stainless Steel
- 29.071 Strike Separate for 70 mm unit

#29.070 Tension Catch; Strike included
Sizes: A= 70 mm long, (2 3/4")
K= 10.5 mm wide (7/16")
G= 13 mm high (1/2")

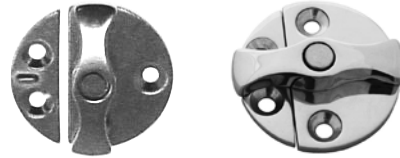


Izerwaren
Order
numbers

Thumb turn latch
316 stainless steel
Seawater resistant

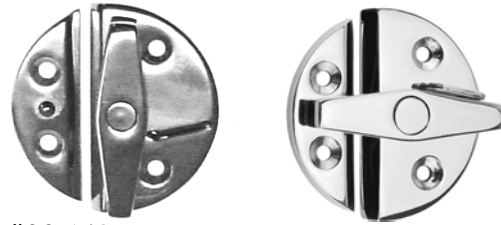
**MARINE THUMB-LATCH
FOR CABINET DOORS**

29.612 Thumb-turn latch for refrigerators and cabinets
Latch 43mm or 1 3/4" diameter
Strike included
13 mm high or 1/2" high
Plate: 3.8 mm or
316 Stainless Steel



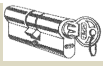
#29.612
Latch 43mm or 1 3/4" diameter
Strike included
13 mm or 1/2" high

29.641 Latch 56 mm or 2-1/4 Diameter
Strike included
15 mm or 9/16" high
Plate 4.5 mm or 3/16" thick



#29.641
Latch 56 mm or 2-1/4 Diameter
Strike included
15 mm or 9/16" high

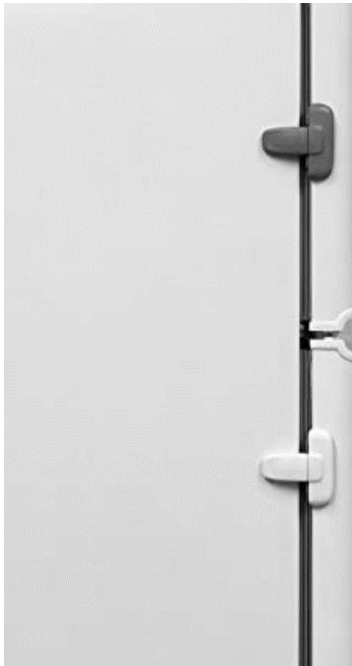




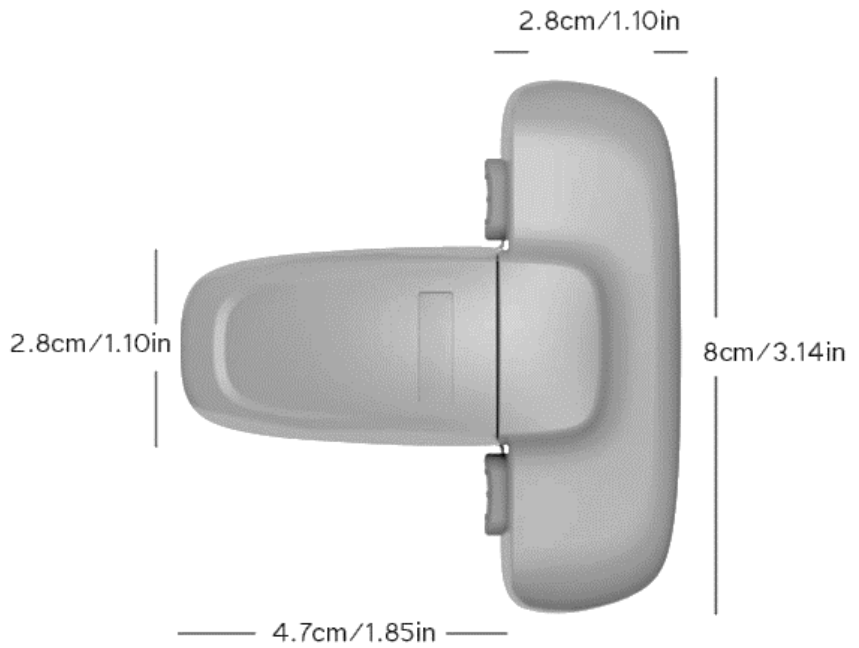
izerwaren
Order
numbers

REFRIGERATOR DOOR LATCH

- 23.374 Refrigerator door latch white
- 23.375 Refrigerator door latch grey



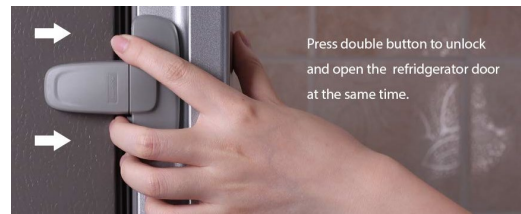
#23.374 refer latch white



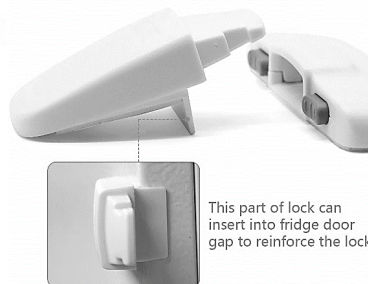
#23.375 refer latch grey.

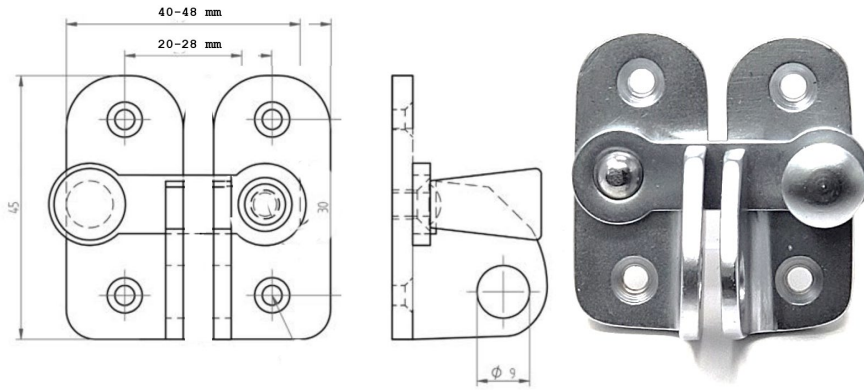
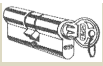


Depicted 23.374 white

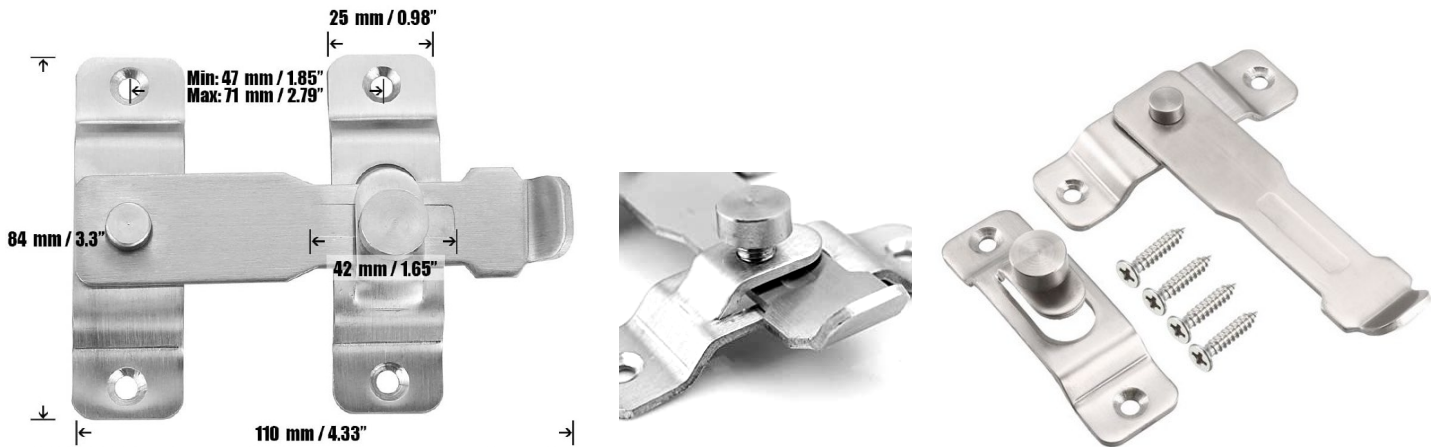


Push buttons simultaneously Two finger operation





#23.5502 RIGHT HAND DEPICTED door catch with cam - also for refrigerators. (see below) Lockable with padlock.
#23.5501 LEFT HAND door catch with cam.
Sizes: 40 x 45 mm; 1 13/16" x 1 3/4" high x 1 1/8" stand off. Lateral Play: 5/16" or 8 mm. Satin chrome plated brass



#23.5671 Door Latch 110 mm wide x 84 mm high. Projects 27 mm 1 1/16"; 4 5/8 x 3 5/8 x 1 1/16 inch
With threaded knob to lock down the latch for refrigerators. Satin Stainless Steel.

Showing Details Refrigerator Door Installation:



#23.5501 Door Latch Brass Satin Chrome

#23.5671 Door Latch Satin Stainless Steel

Full size refrigerator latches showing on page 2-8-1